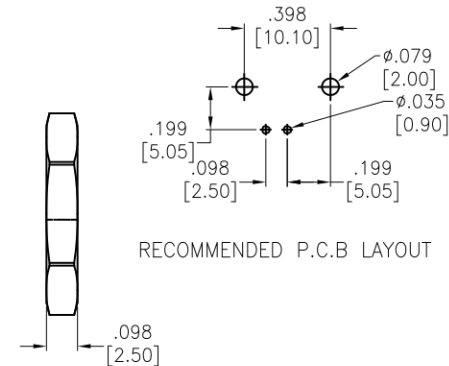
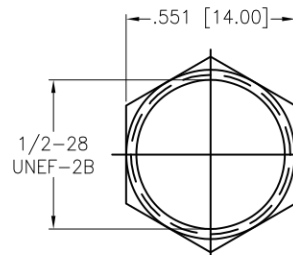
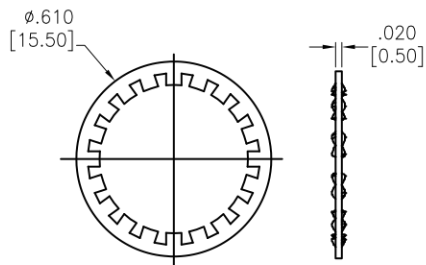
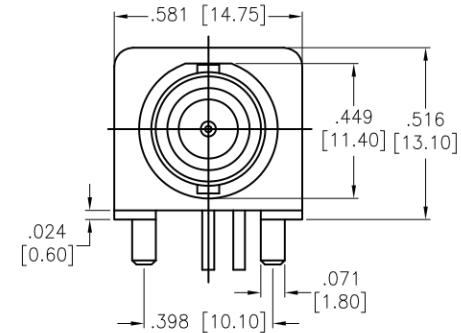
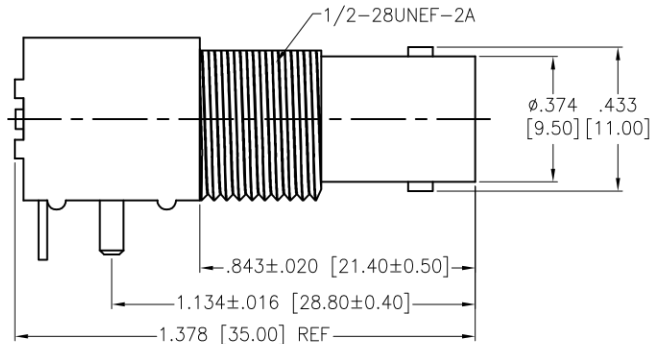
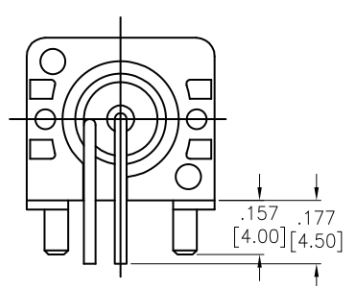


APPROVED: _____
 DATE: _____ TITLE: _____

| Rev | AWO # | Description | Date | Appr |
|-----|-------|-------------|---------|------|
| - | | RELEASED | 1/19/22 | |



RECOMMENDED P.C.B LAYOUT

| DESCRIPTION | MATERIAL | FINISH |
|----------------|----------|--------|
| HEX NUT | BRASS | NICKEL |
| WASHER | BRASS | NICKEL |
| FIXED MOUNT | ABS | WHITE |
| INSULATOR | POM | WHITE |
| FIXED FOOTREST | IRON | NICKEL |
| LEAD | IRON | GOLD |
| BODY | ZINC | NICKEL |
| CENTER CONTACT | BRASS | GOLD |
| DESCRIPTION | MATERIAL | FINISH |

SPECIFICATIONS:

Electrical:
 Nominal Impedance: 50 ohms
 Frequency range: DC-3G
 Working Voltage: 500V rms @sea level
 Insulator Resistance: 5000 Megohms min.
 Temperature Rating:
 -55°C to +155°C
 Environmental:
 Lead free, RoHS compliant.



UNLESS OTHERWISE SPECIFIED ALL DIMENSIONS ARE INCHES [MM]. TOLERANCES: EXCEPT AS NOTED

| | | | |
|--------|-------|-------|-------|
| INCHES | | HOLES | |
| .X | ±.10 | Ø.X | ±.10 |
| .XX | ±.020 | Ø.XX | ±.015 |
| .XXX | ±.015 | Ø.XXX | ±.010 |

ADAM TECH 909 Rahway Avenue,
 Union, NJ 07083
 Phone: 908-687-5000
 Fax: 908-687-5710

| | | |
|----------|----|---------|
| DRAWN | LH | 1/19/22 |
| CHECKED | RC | 1/19/22 |
| APPROVED | | |

TITLE: RIGHT ANGLE BNC FEMALE P.C. BOARD MOUNT

THIS DRAWING CONTAINS INFORMATION THAT IS PROPRIETARY AND SHOULD NOT BE USED WITHOUT PRIOR WRITTEN PERMISSION FROM ADAM TECH

| | | |
|--------------|-----------------------|--------------|
| SIZE X | PART NO. RF1-500-6 | REV. - |
| REF: S00128C | SCALE: NTS | SHEET 1 OF 1 |