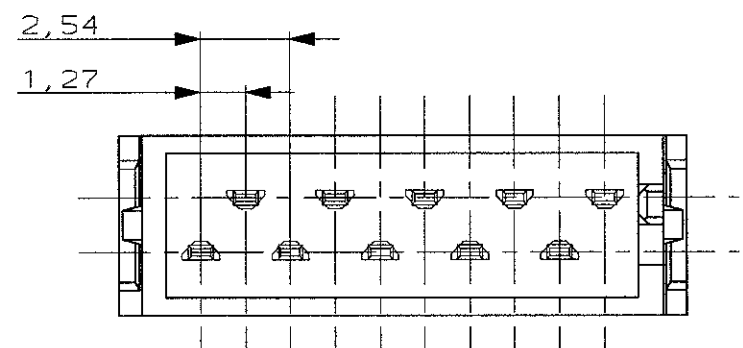
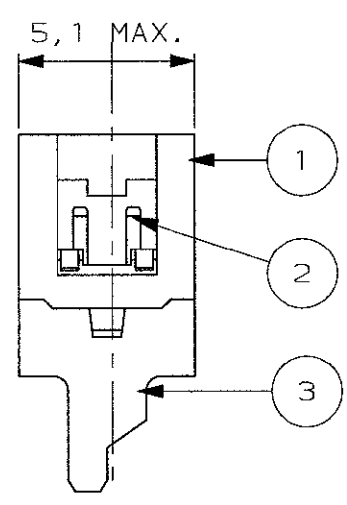
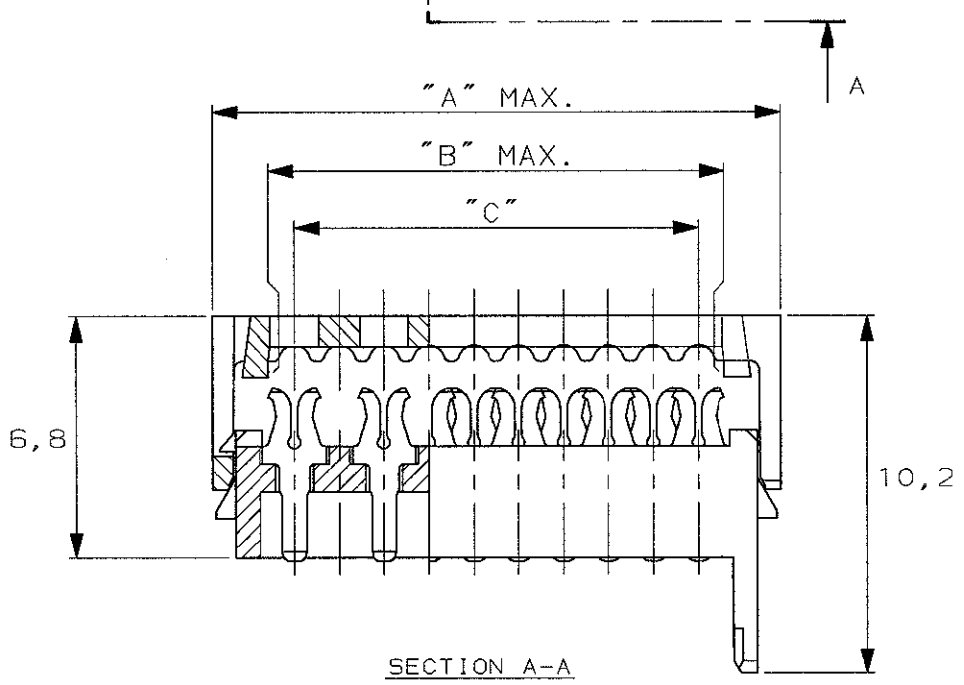
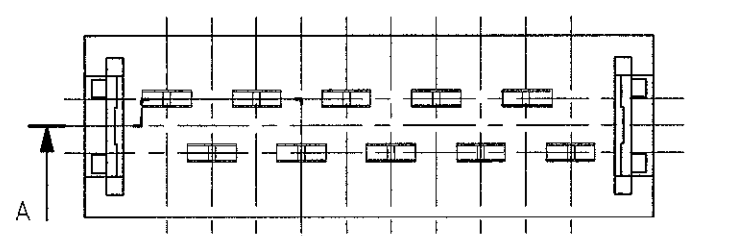


DO NOT SCALE
DIMENSIONS IN mm

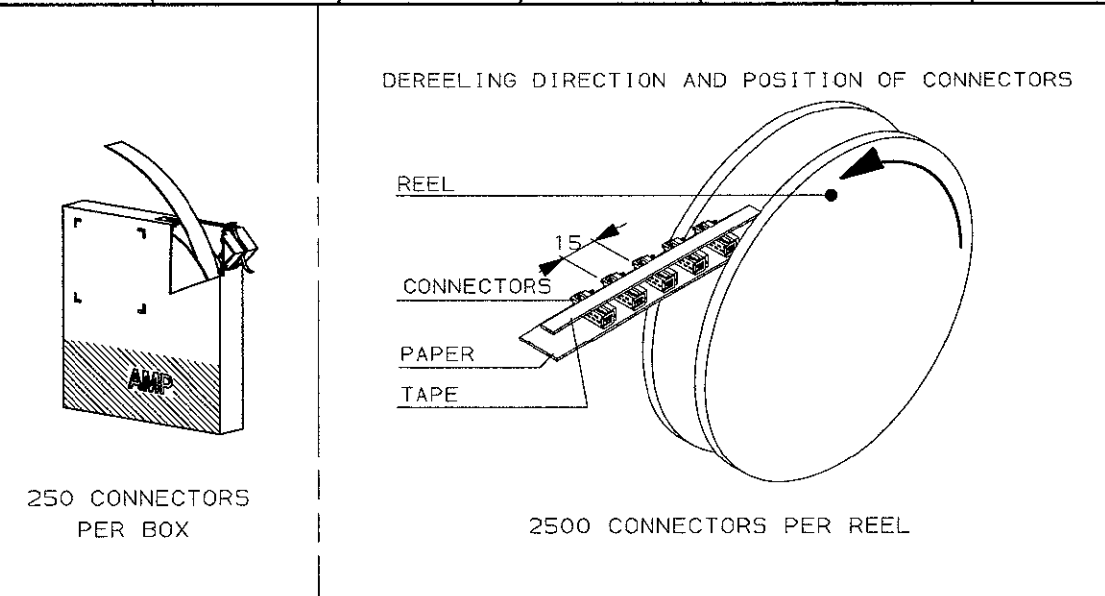
METRIC

THIRD ANGLE
PROJECTION

NUMBER OF POSITIONS	PARTNUMBER BOXPACKAGING	PARTNUMBER REELPACKAGING	NUMBER OF POSITIONS	DIMENSION		
				"A" MAX.	"B" MAX.	"C"
4	7-215083-4	0-215083-4	4	8,6	5,4	3,81
6	7-215083-6	0-215083-6	6	11,1	8,0	6,35
8	7-215083-8	0-215083-8	8	13,6	10,5	8,89
10	8-215083-0	1-215083-0	10	16,2	13,0	11,43
12	8-215083-2	1-215083-2	12	18,7	15,6	13,97
14	8-215083-4	1-215083-4	14	21,3	18,1	16,51
16	8-215083-6	1-215083-6	16	23,8	20,7	19,05
18	8-215083-8	1-215083-8	18	26,3	23,2	21,59
20	9-215083-0	2-215083-0	20	28,9	25,7	24,13
24	9-215083-4	2-215083-4	24	34,0	30,8	29,21



NOTE
1. 10 POSITIONS AS SHOWN



DESCRIPTION	MATERIAL	ITEM
MALE HOUSING	GLASS FILLED POLYESTER (RED)	3
MALE CONTACT	PHBR. PLATING TIN-LEAD 93-7	2
COVER	GLASS FILLED POLYESTER (RED)	1

-				CUSTOMER DRAWING		FOR REFERENCE ONLY WILL NOT BE UPDATED	
-				© COPYRIGHT 19-		BY AMP HOLLAND B.V.	
-				ALL INTERNATIONAL RIGHTS RESERVED. AMP PRODUCTS MAY BE COVERED BY U.S. AND FOREIGN AND/OR PATENTS PENDING.		THIS DRAWING IS UNPUBLISHED	
-				RELEASED FOR PUBLICATION		, 19	
R	EH-0924-01	RvH	H.S.	10-09-01	AMP	AMP HOLLAND B.V. s-Hertogenbosch, The Netherlands.	
P	EH-1428-95	HvD	HvD	JAN 96		NAME	
N	-	PvT	H.K.	JAN 85		MicroMaTch MALE ASS'Y PITCH 1,27 mm	
LTR.	REVISION RECORD	DR.	CHK.	DATE	DWG. No.		REV. LTR.
DR.:	P.v.Tongeren	CHK.:	H. SPELDE	APP.:	H. SPELDE	C-215083	R
DATE:	-	DATE:	24-08-01	DATE:	24-08-01	1 OF 1	A3