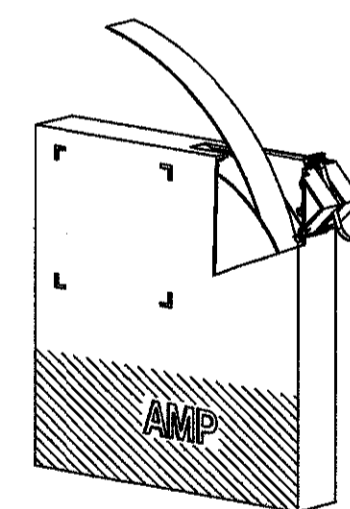
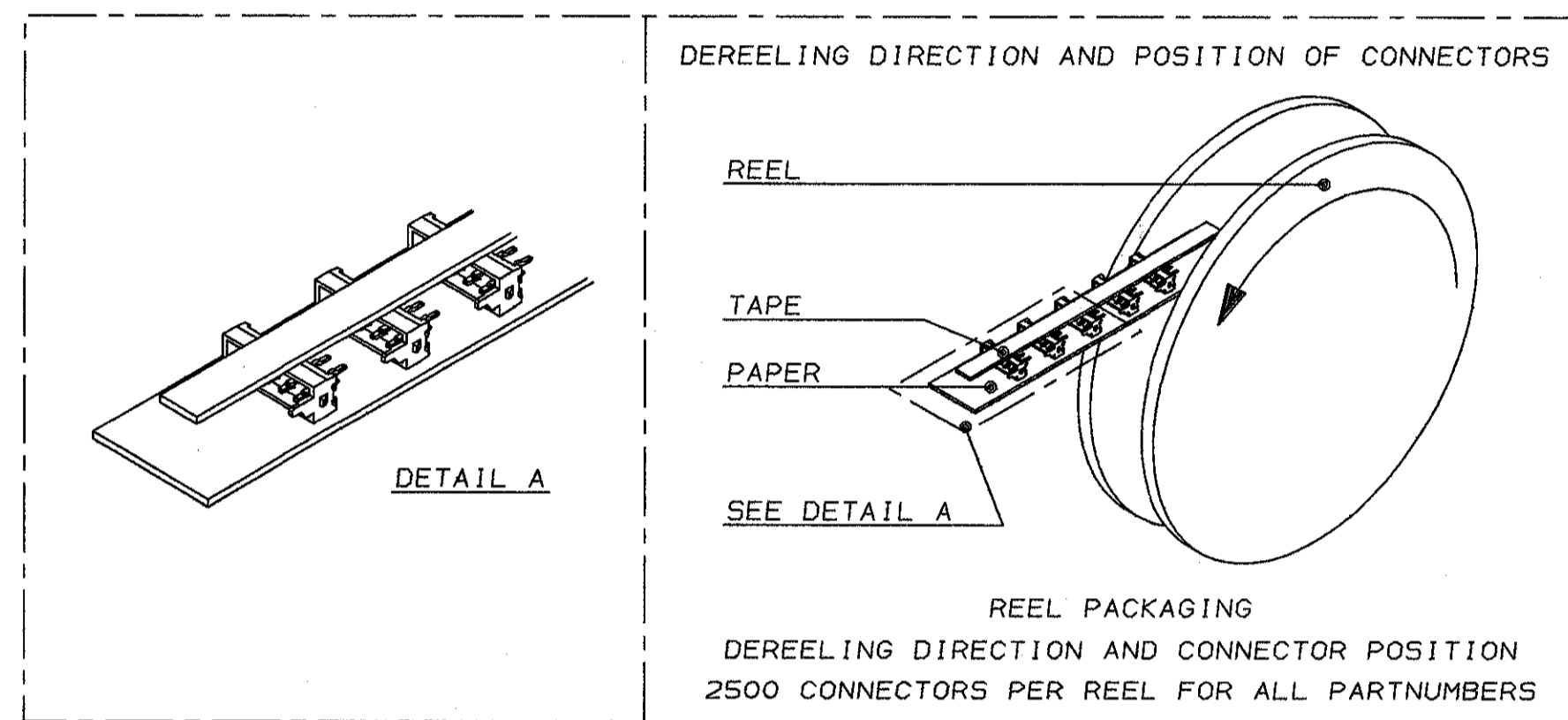
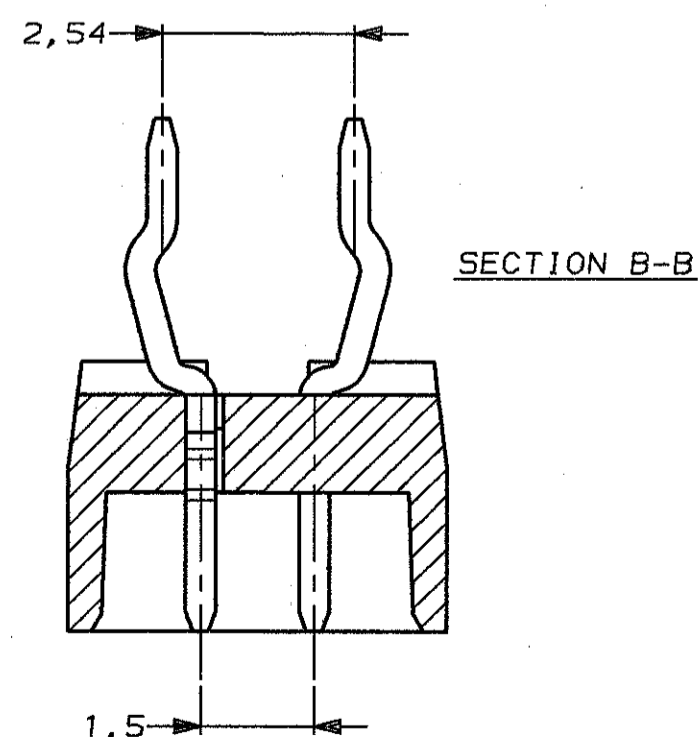
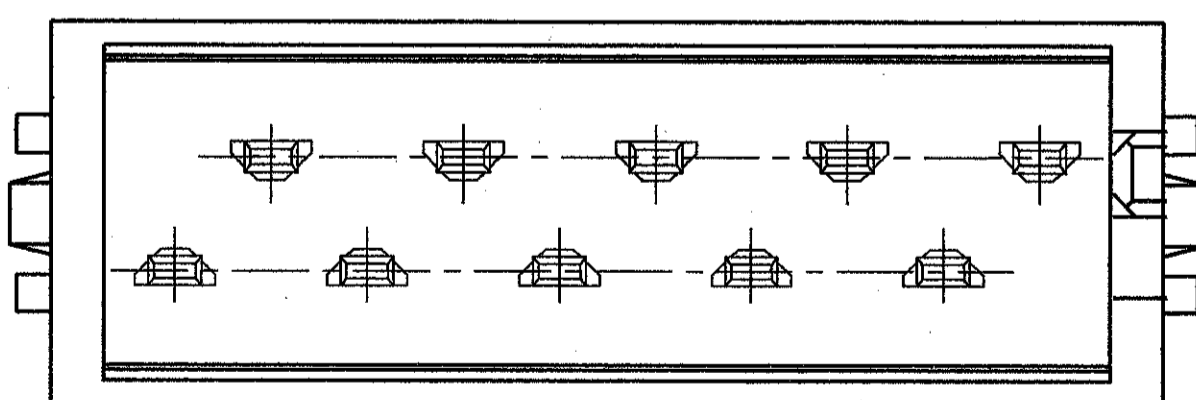
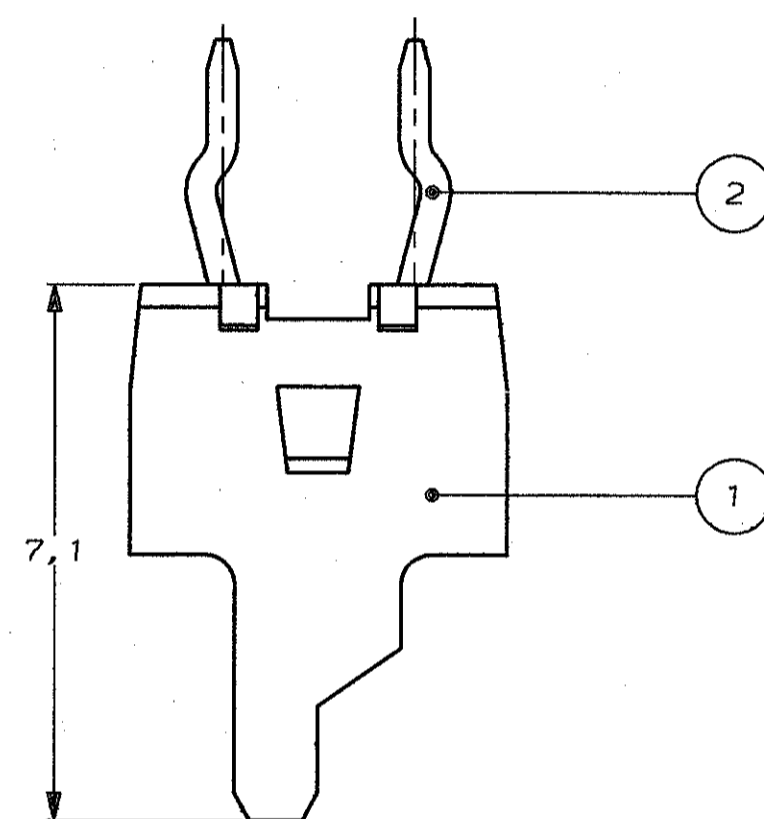
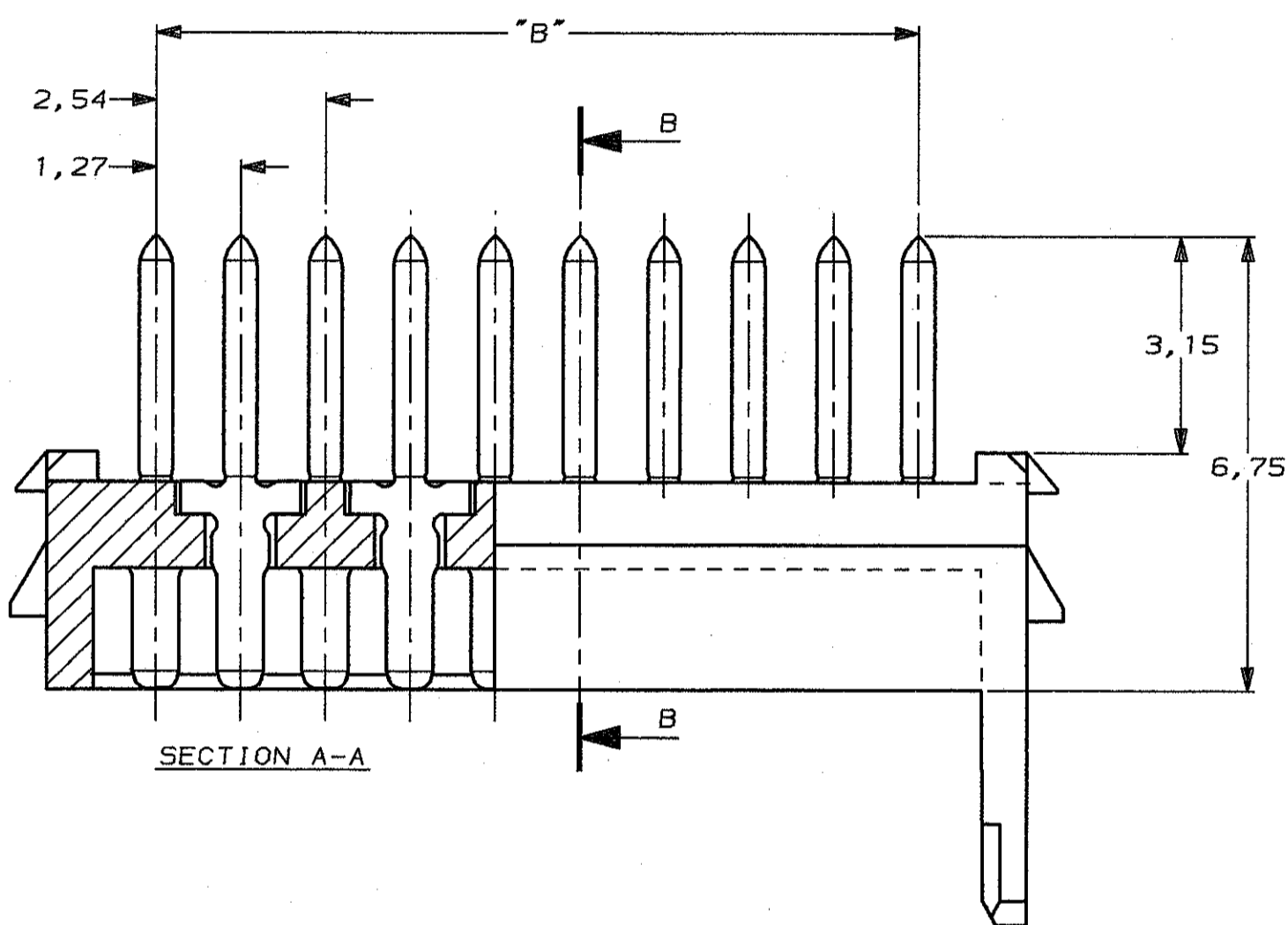
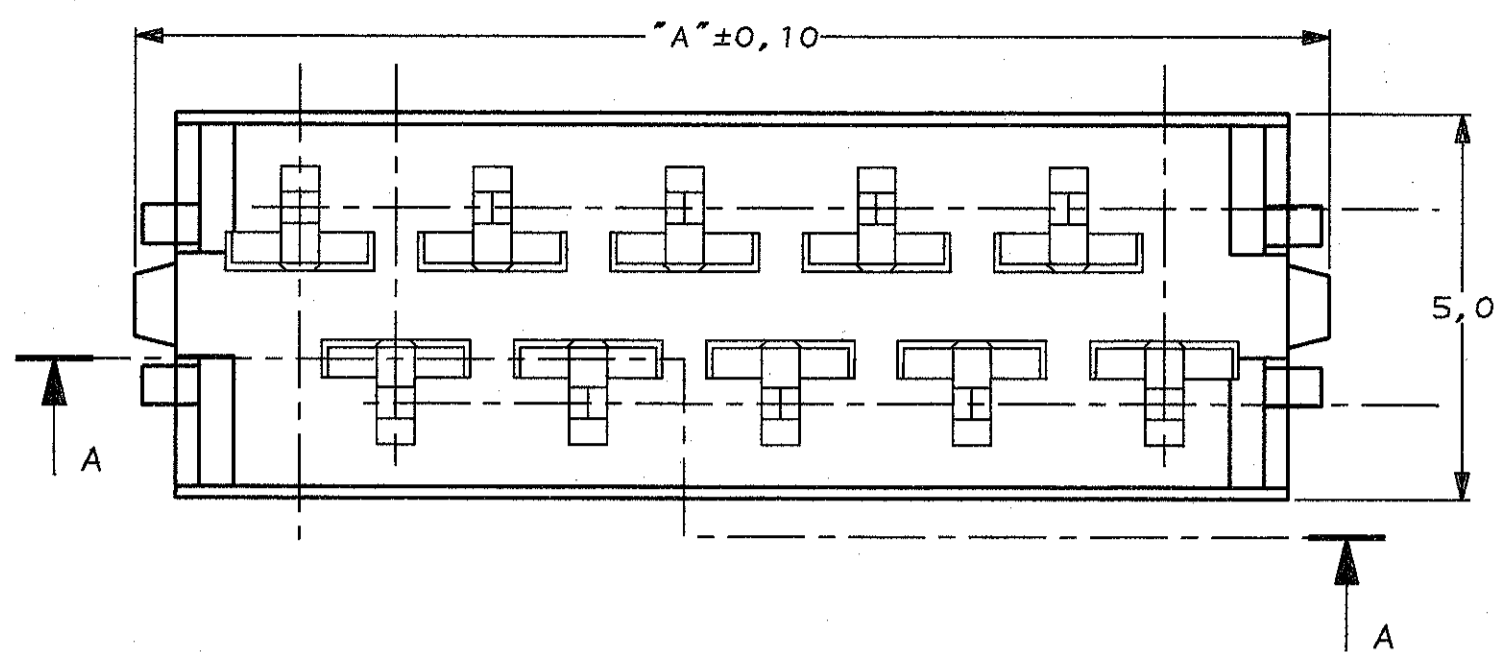


DO NOT SCALE  
DIMENSIONS IN mm

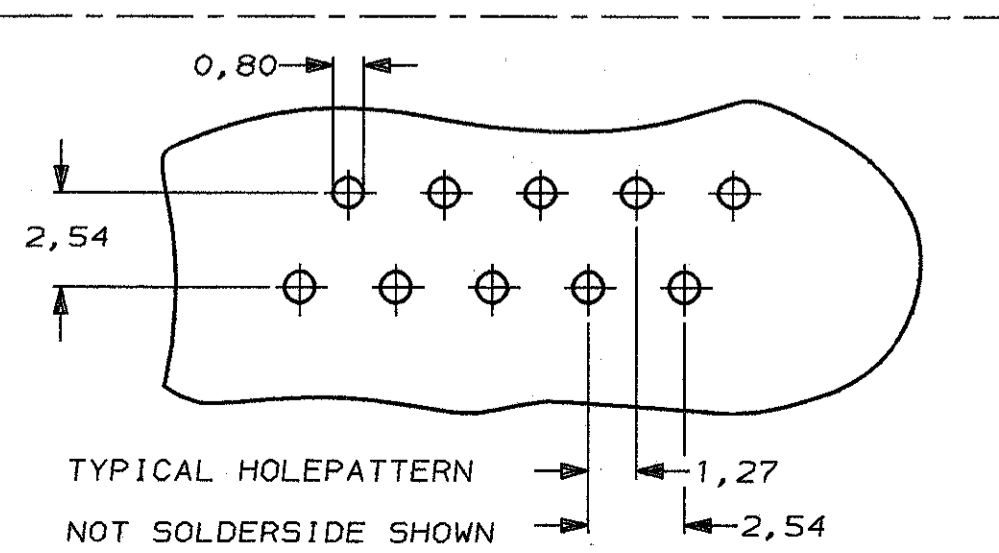
METRIC

THIRD ANGLE  
PROJECTION

PARTNUMBER BOX PACKAGING	PARTNUMBER REEL PACKAGING	NUMBER OF POSITIONS	DIMENSION	
			"A"	"B"
7-215464-4	0-215464-4	4	8,2	3,81
7-215464-6	0-215464-6	6	10,7	6,35
7-215464-8	0-215464-8	8	13,3	8,89
8-215464-0	1-215464-0	10	15,8	11,43
8-215464-2	1-215464-2	12	18,3	13,97
8-215464-4	1-215464-4	14	20,8	16,51
8-215464-6	1-215464-6	16	23,4	19,05
8-215464-8	1-215464-8	18	25,9	21,59
9-215464-0	2-215464-0	20	38,4	24,13



DESCRIPTION	MATERIAL	ITEM
MALE CONTACT	PHBR. PLATING: TIN-LEAD 93-7	2
HOUSING	GLASS FILLED POLYESTER (RED)	1



CUSTOMER DRAWING				FOR REFERENCE ONLY WILL NOT BE UPDATED	
© COPYRIGHT 19- BY AMP-HOLLAND B.V. ALL INTERNATIONAL RIGHTS RESERVED. AMP PRODUCTS MAY BE COVERED BY U.S. AND FOREIGN AND/OR PATENTS PENDING. THIS DRAWING IS UNPUBLISHED RELEASED FOR PUBLICATION					
<b>AMP</b>				AMP-HOLLAND B.V. s-Hertogenbosch, The Netherlands.	
K	H-9745	JVD	-	15 APR 92	NAME Micro-Match MALE-ON-BOARD LONG POST, POLARIZED
LTR.	REVISION RECORD	DR.	CHK.	DATE	
DR. J. VAN DREUMEL	CHK. H. KOKKEN	APP.	-	DWG. No.	REV. LTR.
DATE: 15-04-92	DATE: -	DATE: -	-	C-215464	K
					SHEET 1 OF 1