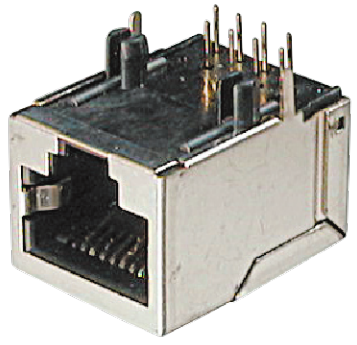


- D-Sub /  
D-Sub cover /  
Centronics
- Multiflex -  
DIN 41651
- Modular
- USB  
IEEE 1394
- Switches
- Power outlets  
Powerinlets
- DIN 41612  
DIN 41617  
Hard Metric
- MiniDIN
- Pin header  
Female header  
Sockets / Jumper
- Terminal Blocks
- Memory Card  
connectors
- FFC / FPC
- Micro -  
Miniature



**Isolierkörpermaterial**  
Nylon, UL94V-0

**Kontaktmaterial**  
Phosphorbronze

**Kontaktoberfläche**  
Ni, Au / Sn

**Kontaktwiderstand**  
40mΩ max

**Isolationswiderstand**  
1000MΩ min

**Strombelastbarkeit**  
1.5A

**Betriebstemperatur**  
-40°C - +85°C

**Betriebsspannung**  
125V AC

**Prüfspannung**  
1000V AC

**Verpackung**  
Blisterverpackung

**Insulator material**  
Nylon, UL94V-0

**Contact material**  
Phosphor bronze

**Plating**  
Ni, Au / Sn

**Contact resistance**  
40mΩ max

**Insulation resistance**  
1000MΩ min

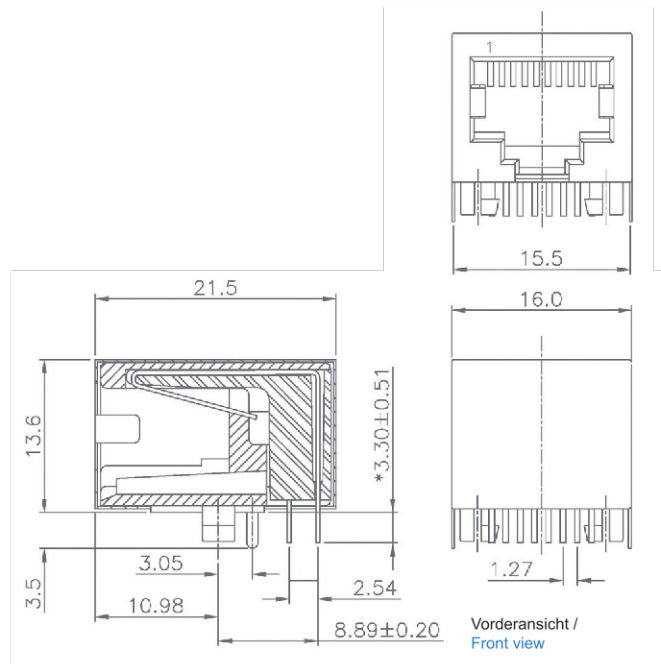
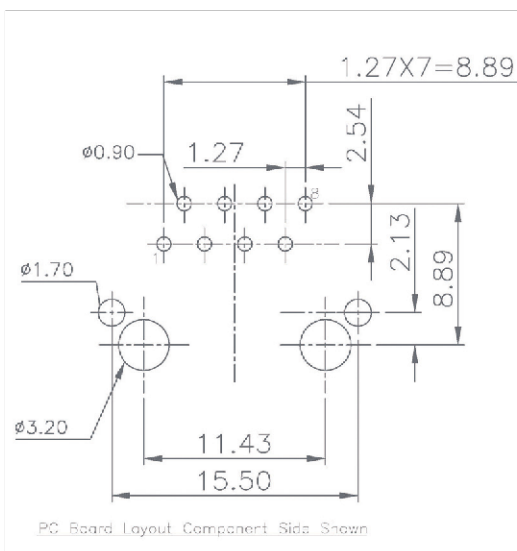
**Current rating**  
1.5A

**Operating temperature**  
-40°C - +85°C

**Operating voltage**  
125V DC

**Test voltage**  
1000V AC

**Packing**  
Tray packing



Bestellcode / Ordercode

Polzahl  
2 - 8 polig (RJ45)

No. of contacts  
2 - 8 contacts (RJ45)

**A - 2004 2 - LP / FS**