

CLIFF

2.5mm, 3.5mm and ¼" (6.35mm) Mono and Stereo Jack Plugs

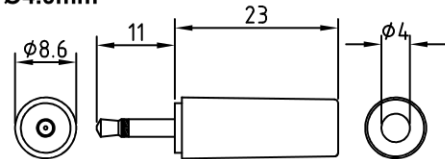
The **CLIFF**[®] range of professional quality mono and stereo Jack Plugs are designed for use in many applications including audio, computer, military and industrial uses. Our Jack Plugs are manufactured from solid nickel-plated brass with high temperature Phenolic / PBT insulators and either metal or tough ABS covers. Some models are available with plastic covers in seven standard colours for easy identification. All versions feature a cable clamp, which is an integral part of the ground screen contact, and clamps firmly without damaging the cable.



JP025 2.5mm mono unscreened Jack Plug. Black plastic body. Careful assembly required.

JP025 - FC6814

Maximum cable Ø4.0mm

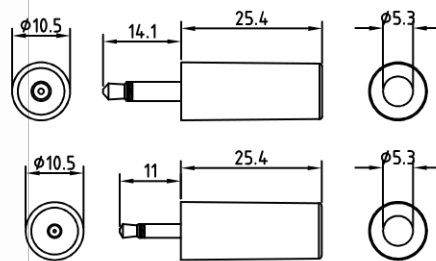


2.5mm and 3.5mm mono unscreened Jack Plug. Allows larger cable use. Black plastic body.

3.5mm model.
P6C-A - FC1066A

2.5mm model.
P6C-D - FC1066D

Maximum cable Ø5.3mm



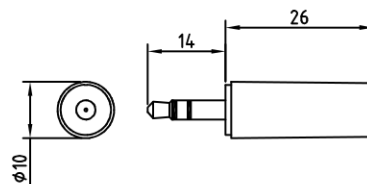
Also available subject to minimum quantity are models with low profile barrel and strain relief. Refer to Sales.



JPS35 3.5mm stereo unscreened Jack Plug. Black plastic body. JPS35G Gold plated version.

JPS35 - FT6300
JPS35G - FT6301

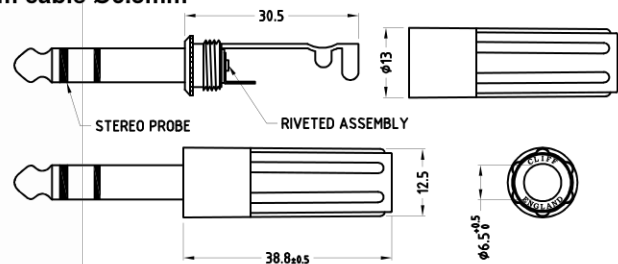
Maximum cable Ø5mm



P2C / P4C ¼" unscreened Jack Plug. Plastic body available in seven standard colours. Rivetted construction

Stereo Jack Plug
P4C - FM1046

Maximum cable Ø6.5mm



Cliff Electronic Components, Ltd.
76 Holmethorpe Avenue, Holmethorpe Ind. Est.
Redhill, Surrey RH1 2PF. England
Tel: +44 (0) 1737 771375
Fax: +44 (0) 1737 766012
Email: sales@cliffuk.co.uk



Visit us online at:

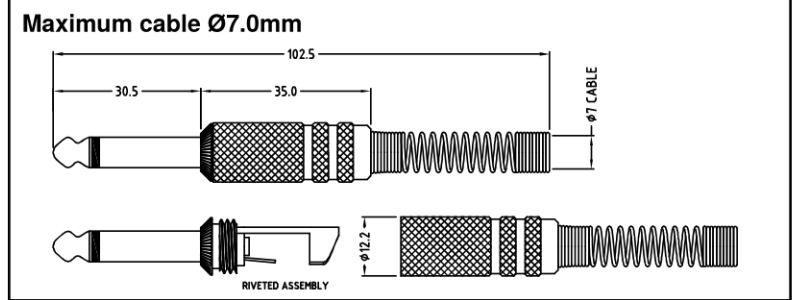
www.cliffuk.co.uk

2.5mm, 3.5mm and 1/4" (6.35mm) Mono and Stereo Jack Plugs



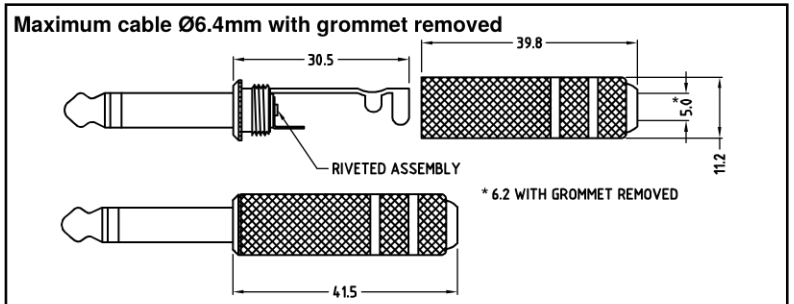
P1C
1/4" screened Jack Plug. Metal body. Riveted construction

Mono Jack Plug
P1C - FM1002



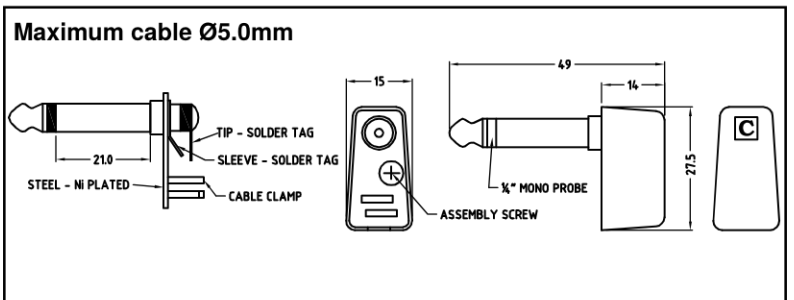
P3C
1/4" screened Jack Plug. Metal body. Riveted construction

Stereo Jack Plug
P3C - FM1044



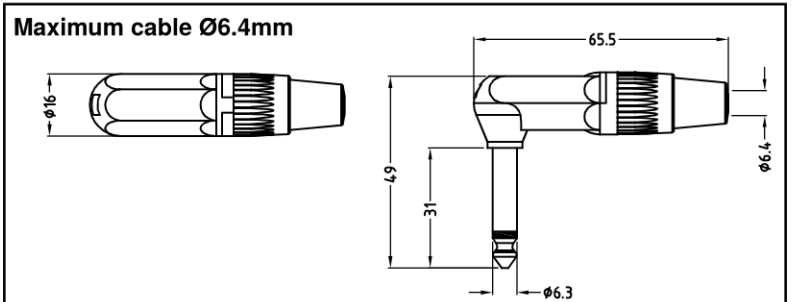
SEP/2C 1/4" 90° mono unscreened Jack Plug. Plastic body.
SEP/4C 1/4" 90° stereo unscreened Jack Plug. Plastic body.

SEP2C - FM1095
SEP4C - FM1100



SEP/1C Professional 1/4" mono screened right angle Jack Plug. Metal body with black plastic cover. Stereo version SEP/3C also available. Riveted construction.

SEP1C - FM1088
SEP3C - FM1098



- 2.5mm Jack Leads
- 3.5mm Jack Leads
- 1/4" Jack Leads
- XLR Leads
- DMX Leads
- DIN Leads
- DC Jack Leads
- Optical Leads
- Bantam Jack Leads

CLIFF® offer a complete service to design and manufacture Custom Moulded cable assemblies according to your specific requirements. Assembled cables include audio cables such as Jack, XLR, DIN (MIDI), Bantam and Optical, DMX cables for the professional Lighting Industry and power and interconnect cables for Computer Peripherals, Medical and Test Equipment. Please contact our Sales office for more details.