

## LAMP 339-1SURSYGW/S530-A3



### Features

- Two chips are matched for uniform light output, wide viewing angle
- Long life-solid state reliability
- I.C. compatible/Low power consumption
- The product itself will remain within RoHS compliant version
- Compliance with EU REACH
- Compliance Halogen Free .(Br <900 ppm ,Cl <900 ppm , Br+Cl < 1500 ppm)

### Description

- The 339-1 LED lamp contains two integral chips and is available as both bicolor and bipolar types.
- The Brilliant Red and Brilliant Yellow Green light is emitted by diodes of AlGaInP and AlGaInP
- Type of bipolar lamps are both White Clear and Color Clear while the bicolor are White Diffused.

### Applications

- TV set
- Monitor
- Telephone
- Computer

## Device Selection Guide

| Chip Materials | Emitted Color          | Resin Color    |
|----------------|------------------------|----------------|
| AlGaInP        | Brilliant Red          | White Diffused |
| AlGaInP        | Brilliant Yellow Green |                |

### Absolute Maximum Ratings (Ta=25°C)

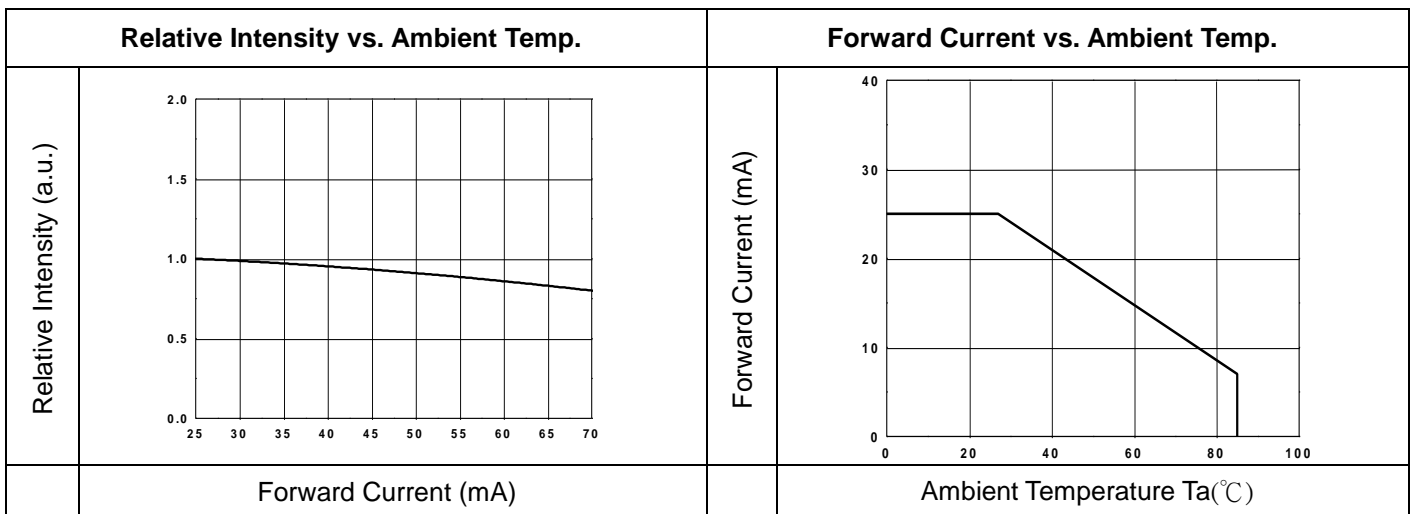
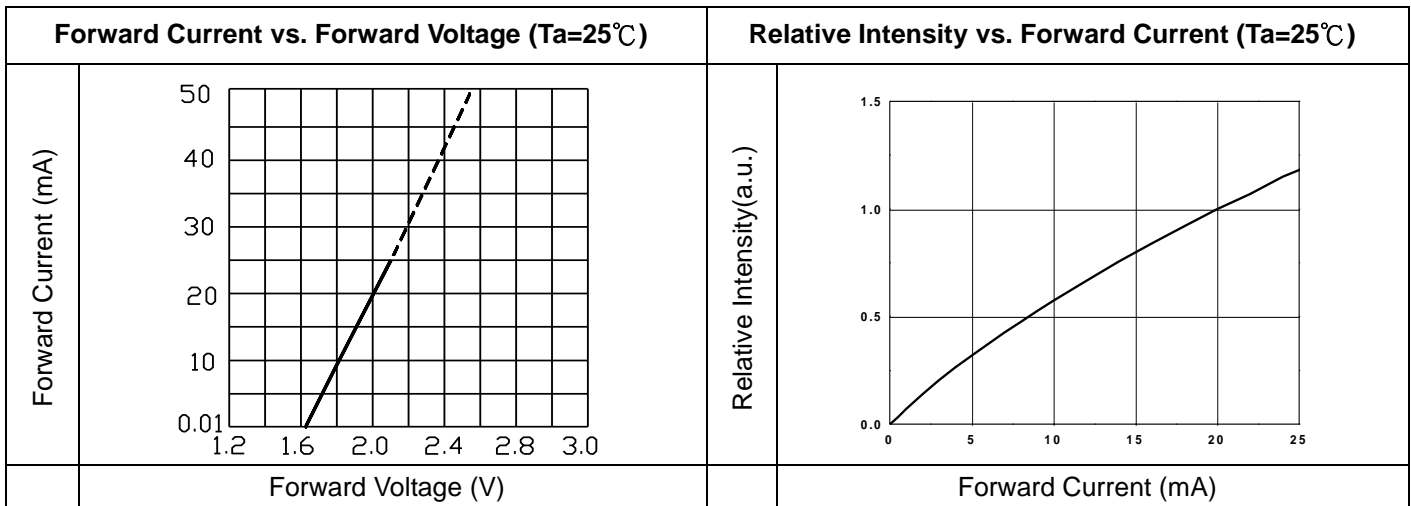
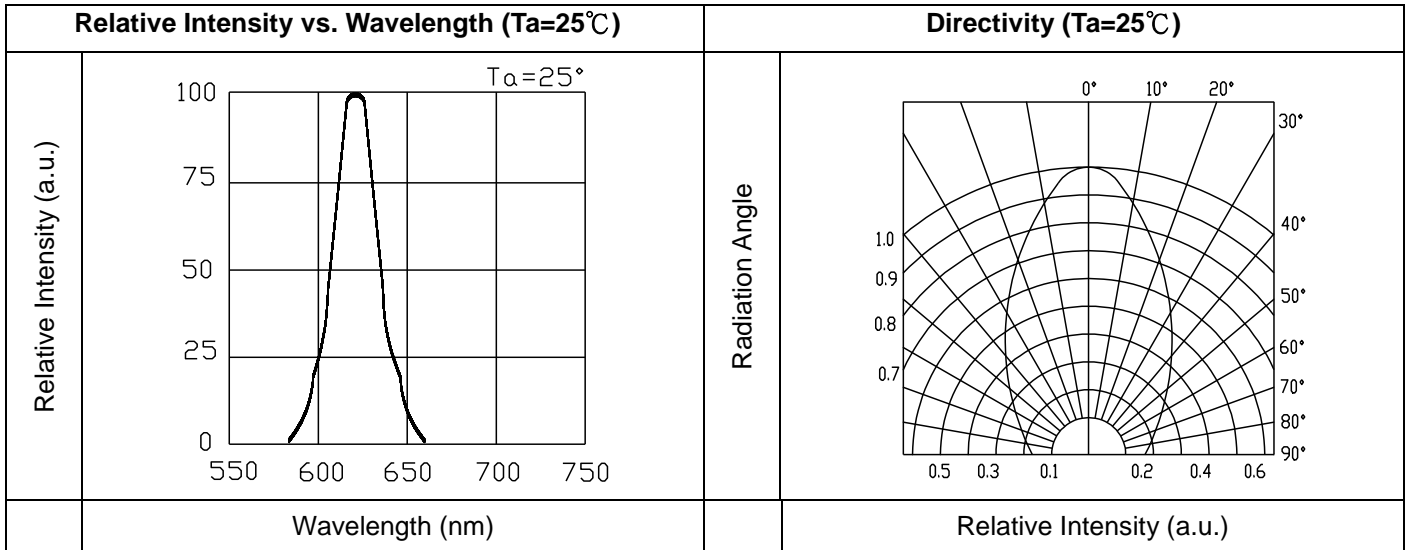
| Parameter                               | Symbol           | Rating            |     | Unit |
|---|------------------|-------------------|-----|------|
|   |                  | SUR               | SYG |      |
| Continuous Forward Current              | I <sub>F</sub>   | 25                | 25  | mA   |
|   |                  | 60                | 60  |      |
| Peak Forward Current (Duty 1/10 @ 1KHZ) | I <sub>FP</sub>  | 60                | 60  | mA   |
|   |                  | 60                | 60  |      |
| Reverse Voltage                         | V <sub>R</sub>   | 5                 |     | V    |
| Power Dissipation                       | Pd               | 60                | 60  | mW   |
|   |                  | 60                | 60  |      |
| Operating Temperature                   | T <sub>opr</sub> | -40 ~ +85         |     | °C   |
| Storage Temperature                     | T <sub>stg</sub> | -40 ~ +100        |     | °C   |
| Soldering Temperature                   | T <sub>sol</sub> | 260 °C for 5 sec. |     |      |

### Electro-Optical Characteristics (Ta=25°C)

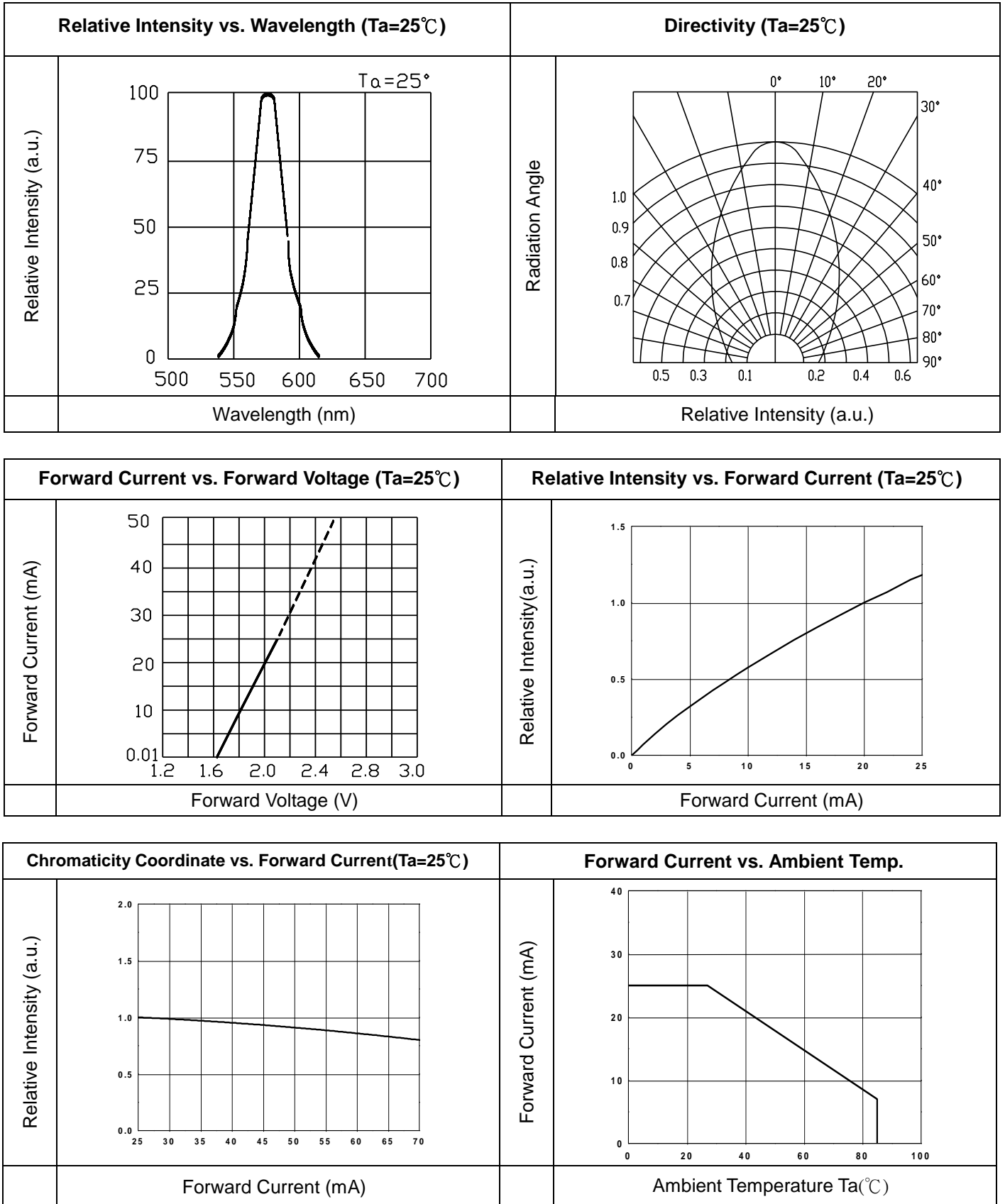
| Parameter                    | Symbol            |     | Min.  | Typ.  | Max.  | Unit | Condition            |
|------------------------------|-------------------|-----|-------|-------|-------|------|----------------------|
|                              | SUR               | SYG |       |       |       |      |                      |
| Forward Voltage              | V <sub>F</sub>    | SUR | 1.7   | 2.0   | 2.4   | V    | I <sub>F</sub> =20mA |
|                              |                   | SYG | 1.7   | 2.0   | 2.4   |      |                      |
| Reverse Current              | I <sub>R</sub>    | SUR | ----- | ----- | 10    | μ A  | V <sub>R</sub> =5V   |
|                              |                   | SYG | ----- | ----- | 10    |      |                      |
| Luminous Intensity           | I <sub>v</sub>    | SUR | 25    | 50    | ----  | mcd  | I <sub>F</sub> =20mA |
|                              |                   | SYG | 16    | 32    | ----  |      |                      |
| Viewing Angle                | 2θ <sub>1/2</sub> | SUR | ----  | 70    | ----- | deg  | I <sub>F</sub> =20mA |
|                              |                   | SYG | ----  | 70    | ----  |      |                      |
| Peak Wavelength              | λ <sub>p</sub>    | SUR | ----  | 632   | ----  | nm   | I <sub>F</sub> =20mA |
|                              |                   | SYG | ----  | 575   | ----  |      |                      |
| Dominant Wavelength          | λ <sub>d</sub>    | SUR | ----  | 624   | ----  | nm   | I <sub>F</sub> =20mA |
|                              |                   | SYG | ----  | 573   | ----  |      |                      |
| Spectrum Radiation Bandwidth | Δλ                | SUR | ----  | 20    | ----  | nm   | I <sub>F</sub> =20mA |
|                              |                   | SYG | ----  | 20    | ----  |      |                      |

Typical Electro-Optical Characteristics Curves

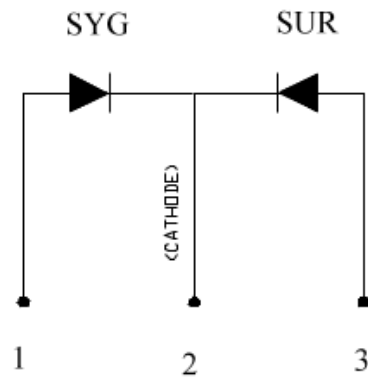
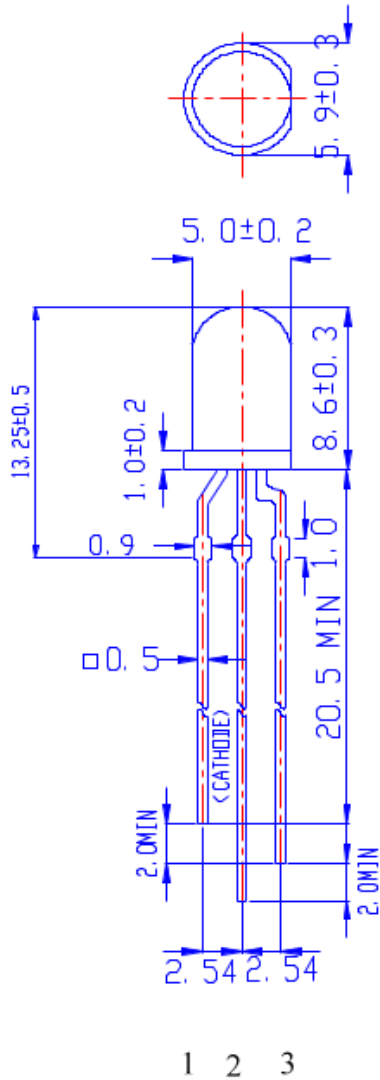
**SUR**



**SYG**



Package Dimension

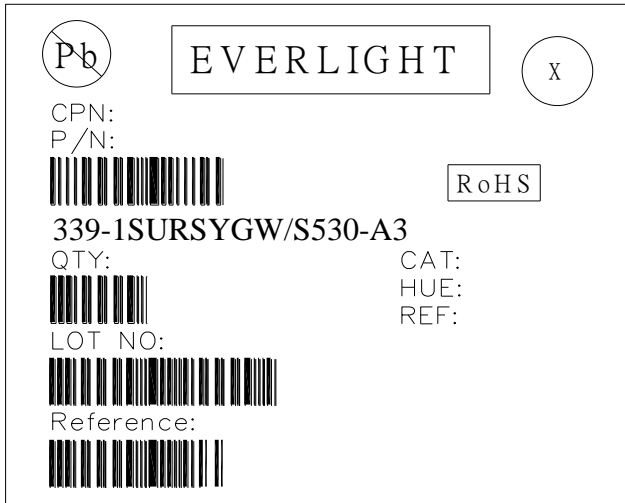


Note: Note:

1. All dimensions are in millimeters
2. The height of flange must be less than 1.5mm(0.059").
3. Without special declared, the tolerance is  $\pm 0.25$ mm.

## Moisture Resistant Packing Materials

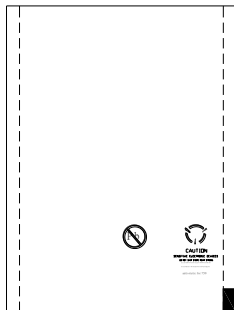
### Label Explanation



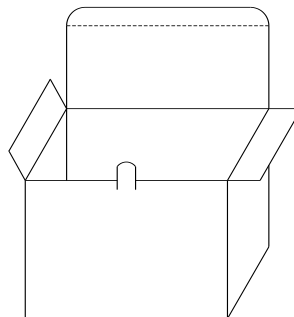
- CPN: Customer's Production Number
- P/N : Production Number
- QTY: Packing Quantity
- CAT: Ranks of Luminous Intensity
- HUE:Ranks of Dominant Wavelength
- REF: Ranks of Forward Voltage
- LOT No: Lot Number

### Packing Specification

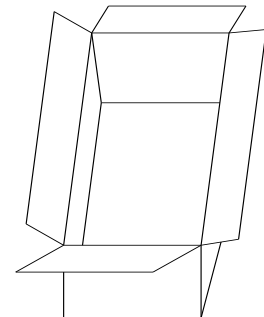
■ Anti-electrostatic bag



■ Inner Carton



■ Outside Carton



■ Packing Quantity

1. Min 200 TO 500 PCS/1 Bag, 4 Bags/1 Inner Carton
2. 10 Inner Cartons/1 Outside Carton

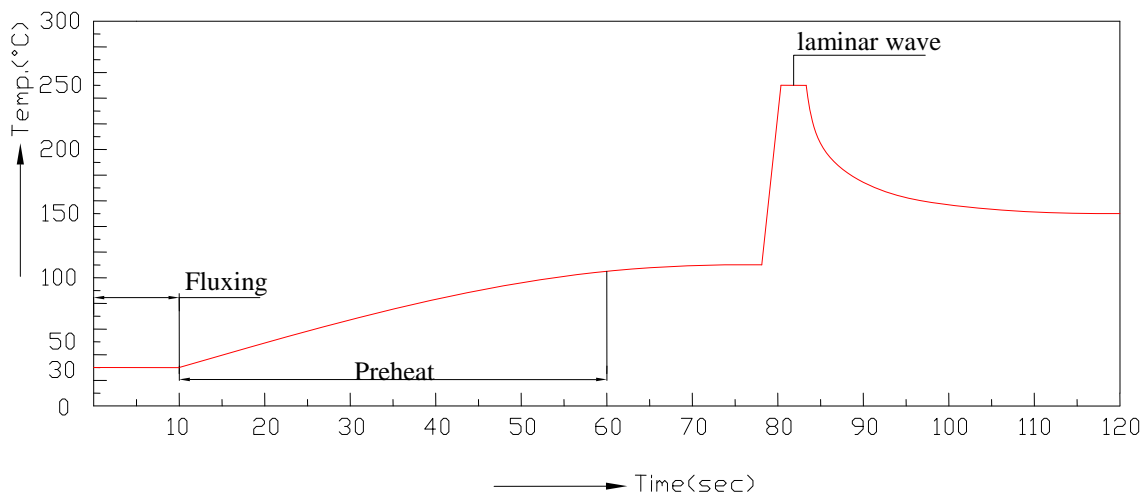
**Notes**

1. Lead Forming
  1. During lead formation, the leads should be bent at a point at least 3mm from the base of the epoxy bulb.
  2. Lead forming should be done before soldering.
  3. Avoid stressing the LED package during leads forming. The stress to the base may damage the LED's characteristics or it may break the LEDs.
  4. Cut the LED leadframes at room temperature. Cutting the leadframes at high temperatures may cause failure of the LEDs.
  5. When mounting the LEDs onto a PCB, the PCB holes must be aligned exactly with the lead position of the LED. If the LEDs are mounted with stress at the leads, it causes deterioration of the epoxy resin and this will degrade the LEDs.
2. Storage
  6. The LEDs should be stored at 30°C or less and 70%RH or less after being shipped from Everlight and the storage life limits are 3 months. If the LEDs are stored for 3 months or more, they can be stored for a year in a sealed container with a nitrogen atmosphere and moisture absorbent material. After opening the LEDs should be used up within 24 hours.
  7. Please avoid rapid transitions in ambient temperature, especially, in high humidity environments where condensation can occur.
3. Soldering
  8. Careful attention should be paid during soldering. When soldering, leave more than 3mm from solder joint to epoxy bulb, and soldering beyond the base of the tie bar is recommended.

Recommended soldering conditions:

| Hand Soldering       |   | DIP Soldering     |  |
|----------------------|---|-------------------|--|
| Temp. at tip of iron | 300°C Max. (30W Max.)                     | Preheat temp.     | 100°C Max. (60 sec Max.)                   |
| Soldering time       | 3 sec Max.                                | Bath temp. & time | 260 Max., 5 sec Max                        |
| Distance             | 3mm Min.(From solder joint to epoxy bulb) | Distance          | 3mm Min. (From solder joint to epoxy bulb) |

9. Recommended soldering profile



10. Avoiding applying any stress to the lead frame while the LEDs are at high temperature particularly when soldering.
11. Dip and hand soldering should not be done more than one time
12. After soldering the LEDs, the epoxy bulb should be protected from mechanical shock or vibration until the LEDs return to room temperature.
13. A rapid-rate process is not recommended for cooling the LEDs down from the peak temperature.
14. Although the recommended soldering conditions are specified in the above table, dip or hand soldering at the lowest possible temperature is desirable for the LEDs.

15. Wave soldering parameter must be set and maintain according to recommended temperature and dwell time in the solder wave.
4. Cleaning
  16. When necessary, cleaning should occur only with isopropyl alcohol at room temperature for a duration of no more than one minute. Dry at room temperature before use.
  17. Do not clean the LEDs by the ultrasonic. When it is absolutely necessary, the influence of ultrasonic cleaning on the LEDs depends on factors such as ultrasonic power and the assembled condition. Ultrasonic cleaning shall be pre-qualified to ensure this will not cause damage to the LED
5. Heat Management
  18. Heat management of LEDs must be taken into consideration during the design stage of LED application. The current should be de-rated appropriately by referring to the de-rating curve found in each product specification.
  19. The temperature surrounding the LED in the application should be controlled. Please refer to the data sheet de-rating curve.
6. ESD (Electrostatic Discharge)
  20. The products are sensitive to static electricity or surge voltage. ESD can damage a die and its reliability.  
When handling the products, the following measures against electrostatic discharge are strongly recommended:
    - Eliminating the charge
    - Grounded wrist strap, ESD footwear, clothes, and floors
    - Grounded workstation equipment and tools
    - ESD table/shelf mat made of conductive materials
  21. Proper grounding is required for all devices, equipment, and machinery used in product assembly. Surge protection should be considered when designing of commercial products.
  22. If tools or equipment contain insulating materials such as glass or plastic, the following measures against electrostatic discharge are strongly recommended:
    - Dissipating static charge with conductive materials
    - Preventing charge generation with moisture
    - Neutralizing the charge with ionizers
7. Directions for use
  - The LEDs should be operated with forward bias. The driving circuit must be designed so that the LEDs are not subjected to forward or reverse voltage while it is off. If reverse voltage is continuously applied to the LEDs, it may cause migration resulting in LED damage.
8. Other
  23. Above specification may be changed without notice. EVERLIGHT will reserve authority on material change for above specification.
  24. When using this product, please observe the absolute maximum ratings and the instructions for using outlined in these specification sheets. EVERLIGHT assumes no responsibility for any damage resulting from use of the product which does not comply  
with the absolute maximum ratings and the instructions included in these specification sheets.
  25. These specification sheets include materials protected under copyright of EVERLIGHT corporation. Please don't reproduce or cause anyone to reproduce them without EVERLIGHT's consent.