

» Features

- DIP top actuated.
- Several caps and LED colors options.
- Several cap legends options.
- Long operating life.

» Applications

- Suitable for use in digital circuits of any electronic devices as reset switches, etc.



» Specifications

| | |
|-----------------------|---------------------------------|
| Rating | 10mA 35VDC |
| Insulation Resistance | 100MΩ Min(at 250 VDC) |
| Dielectric Strength | AC 250V (50/60 Hz for 1 minute) |
| Contact Resistance | 30mΩ Max. (Initial) |
| Electrically Life | V:130gf 100,000 Cycles Min |
| | M:250gf 30,000 Cycles Min |
| Ambient Temperature | -20°C~ +60°C |
| Operating Force | V: 130 ± 50gf |
| | M: 250 ± 50gf |
| Travel | 1.0 ± 0.2 mm |

» LED Specifications

| Color | VR | IF | Recommended Operating Current | VF | |
|--------|-------|------|-------------------------------|------|------|
| | | | | Nor | Max |
| Red | DC 5V | 20mA | 20mA | 1.7V | 2.4V |
| Green | DC 5V | 20mA | 20mA | 1.9V | 2.4V |
| Yellow | DC 5V | 20mA | 20mA | 1.9V | 2.4V |
| Blue | DC 5V | 20mA | 20mA | 3.0V | 3.6V |
| White | DC 5V | 20mA | 20mA | 3.0V | 3.6V |

For the specification about the other LEDs, please contact with sales department

» Product selection

KS01-

| | | | | | | | | | | | |
|-------------|--|-----------------|------------|-----------|---------|-----------|---------------|---------------|----------------|----|--|
| BUTTON TYPE | | OPERATING FORCE | | LED COLOR | | CAP COLOR | | LASER ETCHING | | | |
| A | | V | 130 ± 50gf | 1 | | 1 | Misty Silver | 01 | | | |
| B | | M | 250 ± 50gf | 2 | | 2 | Bright Silver | 02 | | | |
| C | | BUTTON COLOR | | 3 | | 3 | Gold | 03 | OK | | |
| D | | | | - | LED | 4 | | 4 | White | 04 | |
| F | | | | R | Red | 5 | | 5 | Bright Black | 05 | |
| AL | | | | Y | Yellow | 6 | | 6 | Red | 06 | |
| BL | | | | G | Green | 8 | | 7 | Misty Black | 07 | |
| EL | | | | B | Blue | 9 | | 8 | Sky blue | 08 | |
| EL1 | | | | W | White | 10 | | 9 | Gunmetal black | 09 | |
| HV | | | | BK | Black | 011 | | A | Orange | 10 | |
| | | | | | | 12 | | | | | |
| | | | | | | 13 | | | | | |
| | | | | 14 | | | | | | | |
| | | | | 23 | | | | | | | |
| | | | | 48 | | | | | | | |
| | | | | 52 | | | | | | | |
| | | | | 58 | | | | | | | |
| | | | | - | Non-LED | | | | | | |

Please inquire about the details with our sales representative.

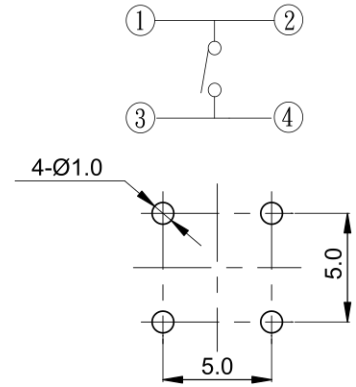
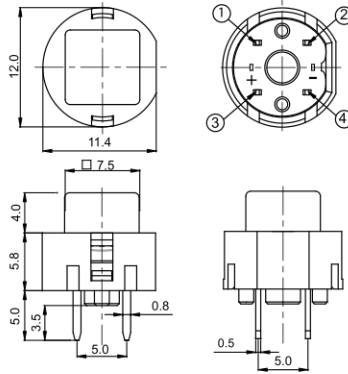
» Operating characteristics

Unit: mm

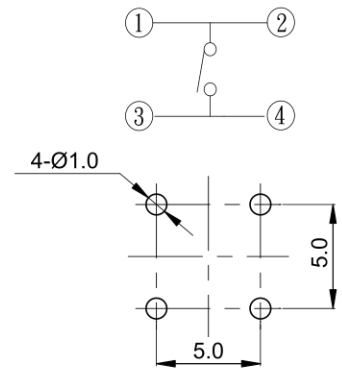
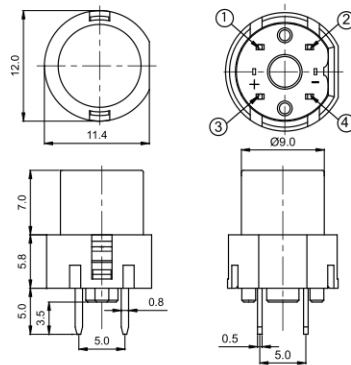
Dimensions

P.C.B Layout

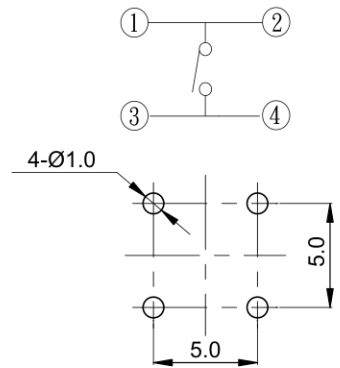
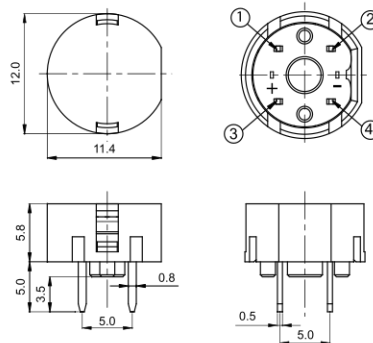
KS01-A



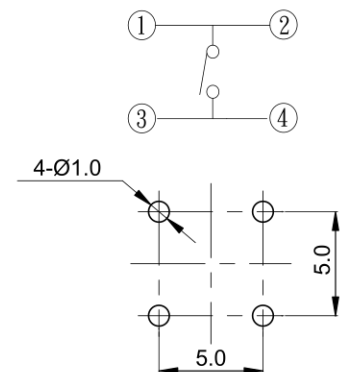
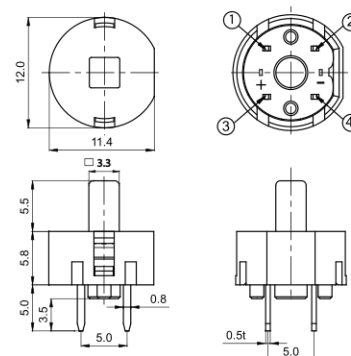
KS01-B



KS01-C



KS01-D



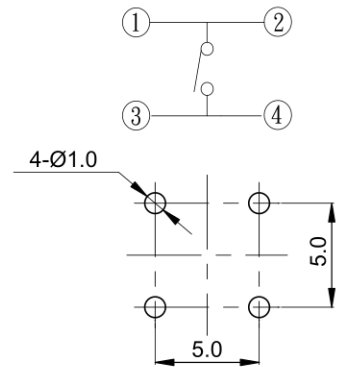
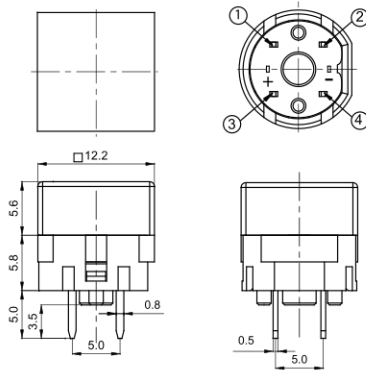
» Operating characteristics

Unit: mm

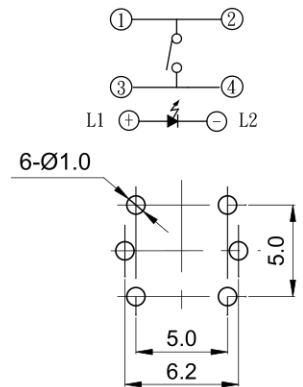
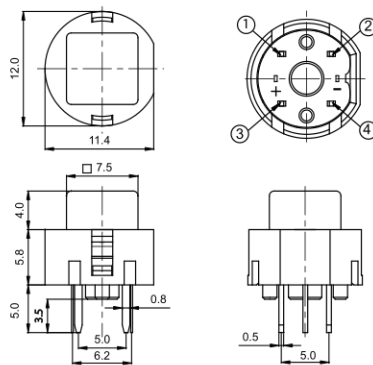
Dimensions

P.C.B Layout

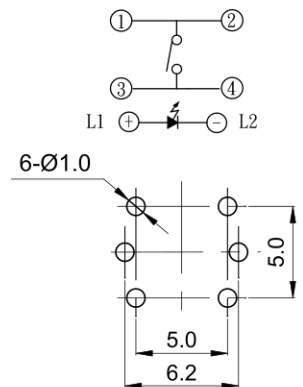
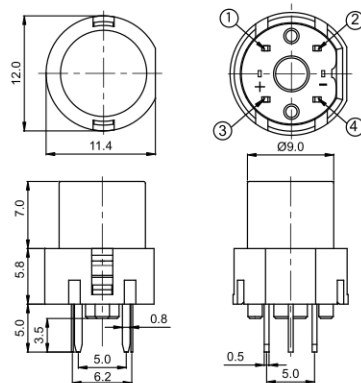
KS01-F



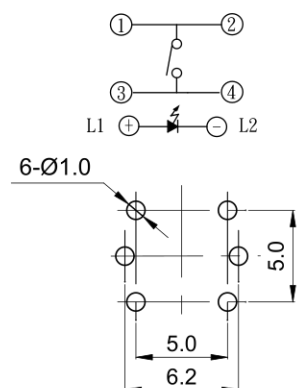
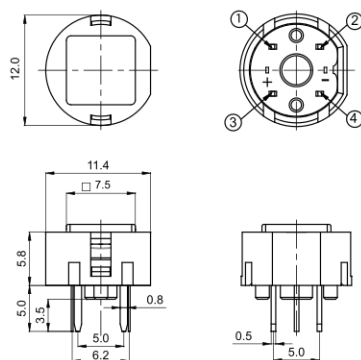
KS01-AL



KS01-BL



KS01-EL



» **Operating characteristics**

Unit: mm

Dimensions

P.C.B Layout

KS01-HVL

