

# High Speed CMOS Optocouplers

## Technical Data

### HCPL-7100 HCPL-7101

#### Features

- 1  $\mu\text{m}$  CMOS IC Technology
- Compatibility with All +5 V CMOS and TTL Logic Families
- No External Components Required for Logic Interface
- High Speed: 15 MBd (HCPL-7100) and 50 MBd (HCPL-7101) Guaranteed
- Low Power Consumption
- Safety Approvals  
UL 1577 (3750 Vac/1 Min)  
VDE 0884 ( $V_{\text{IORM}} = 848 V_{\text{peak}}$ )  
CSA
- 3-State Output
- 3750 Vac/1 Minute Dielectric Withstand
- High Common Mode Transient Immunity

#### Applications

- Multiplexed Data Transmission
- Computer-Peripheral Interface
- Microprocessor System Interface
- Digital Isolation for A/D, D/A Conversion
- Instrument Input/Output Isolation
- Motor Control
- Power Inverter

#### Description

The HCPL-7100/7101 optocoupler combines the latest CMOS IC technology, a new high-speed high-efficiency AlGaAs LED, and an optimized light coupling system to achieve outstanding performance with very low power consumption. It requires only two bypass capacitors for complete CMOS/TTL compatibility.

Basic building blocks of the HCPL-7100/7101 are a CMOS LED driver IC, an AlGaAs LED, and a CMOS detector IC. A CMOS or TTL logic input signal controls the LED driver IC which supplies current to the LED. The detector IC incorporates an integrated photodiode, a high-speed transimpedance amplifier and a voltage comparator with hysteresis. The 3-state output is CMOS and TTL

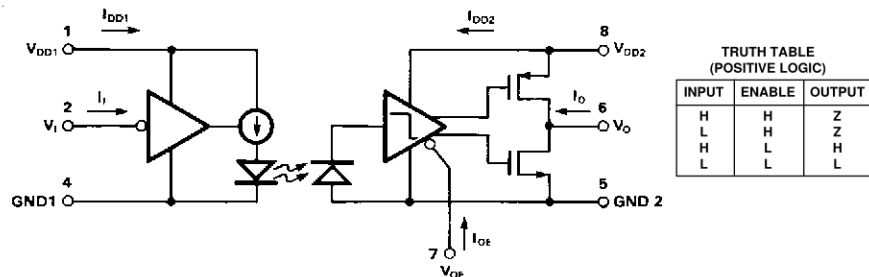
compatible and is controlled by the output enable pin,  $V_{\text{OE}}$ .

The HCPL-7100/7101 consumes very little power, due to the CMOS IC technology and the light coupling system. The entire optocoupler typically uses only 10 mA of supply current, including the LED current.

World-wide safety approval and 3750 Vac/1 minute dielectric withstand is achieved with our patented "light-pipe" optocoupler packaging technology.

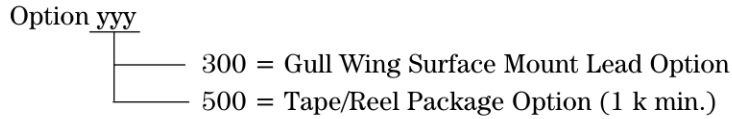
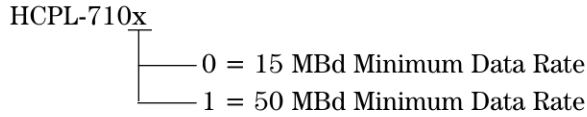
The HCPL-7100/7101 provides the user with an easy-to-use CMOS or TTL compatible optocoupler ideally suited for a variety of applications where high speed and low power consumption are desired.

#### Schematic



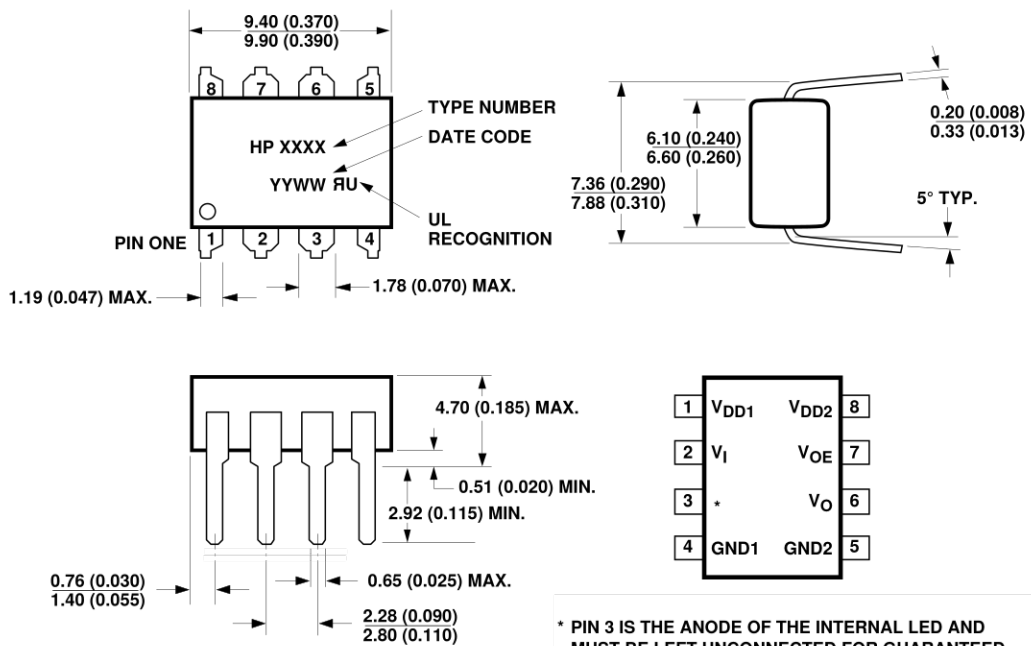
**CAUTION:** It is advised that normal static precautions be taken in handling and assembly of this component to prevent damage and/or degradation which may be induced by ESD.

## Ordering Information



Option data sheets available. Contact your Hewlett-Packard sales representative or authorized distributor for information.

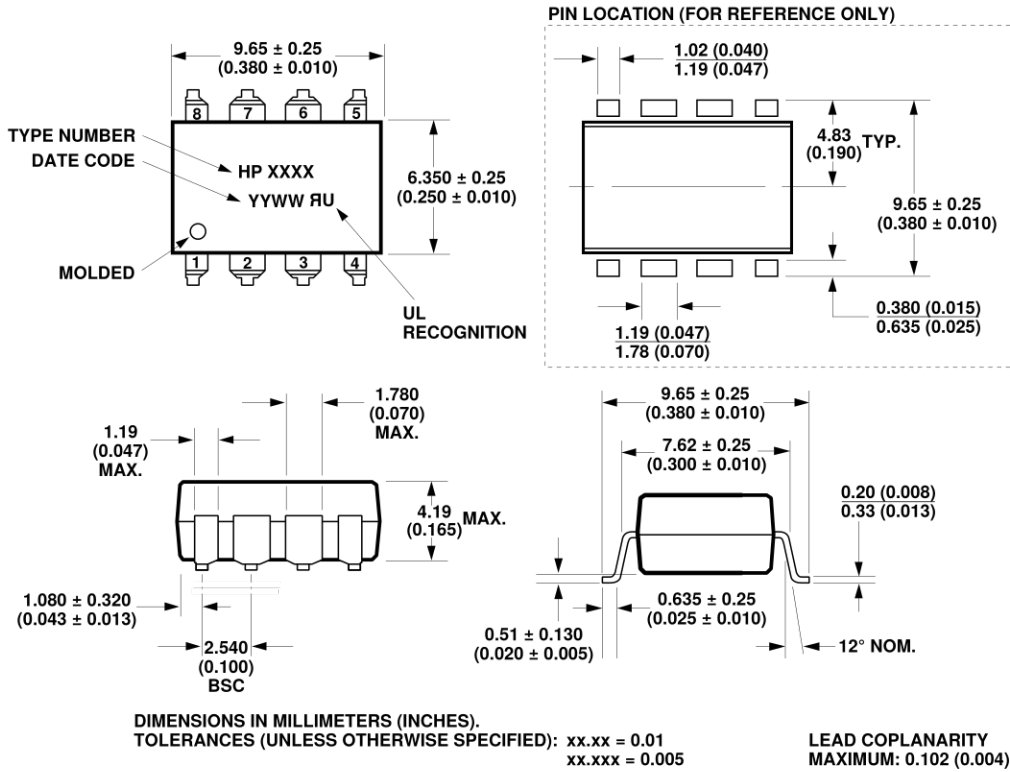
## Package Outline Drawings Standard DIP Package



\* PIN 3 IS THE ANODE OF THE INTERNAL LED AND MUST BE LEFT UNCONNECTED FOR GUARANTEED DATA SHEET PERFORMANCE.

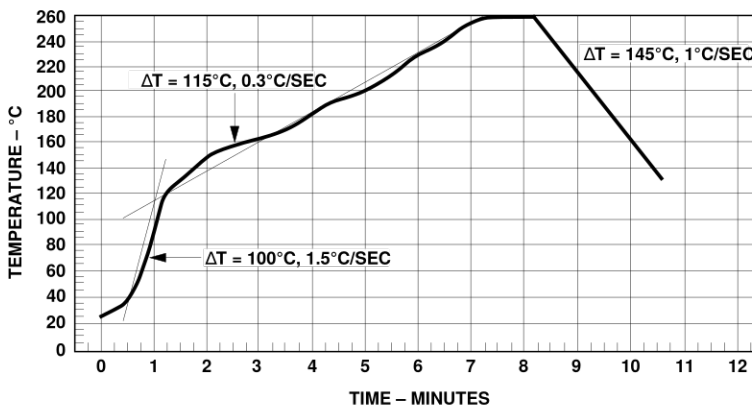
DIMENSIONS IN MILLIMETERS AND (INCHES).

## Gull Wing Surface Mount Option 300\*



\*Refer to Option 300 data sheet for more information.

## Maximum Solder Reflow Thermal Profile



(NOTE: USE OF NON-CHLORINE ACTIVATED FLUXES IS RECOMMENDED.)

**Regulatory Information**

The HCPL-7100/1 has been approved by the following organizations:

**UL**

Recognized under UL 1577, Component Recognition Program, File E55361.

**CSA**

Approved under CSA Component Acceptance Notice #5, File CA 88324.

**VDE**

Approved according to VDE 0884/06.92

**Insulation and Safety Related Specifications**

Parameter	Symbol	Value	Units	Conditions
Min. External Air Gap (External Clearance)	L(IO1)	7.4	mm	Measured from input terminals to output terminals, shortest distance through air
Min. External Tracking Path (External Creepage)	L(IO2)	8.0	mm	Measured from input terminals to output terminals, shortest distance path along body
Min. Internal Plastic Gap (Internal Clearance)		0.5	mm	Through insulation distance, conductor to conductor, usually the direct distance between the photoemitter and photodetector inside the optocoupler cavity
Tracking Resistance (Comparative Tracking Index)	CTI	175	V	DIN IEC 112/VDE 0303 PART 1
Isolation Group		IIIa		Material Group (DIN VDE 0110, 1/89, Table 1)

Option 300 – surface mount classification is Class A in accordance with CECC 00802.

**VDE 0884 (06.92) Insulation Characteristics**

Description	Symbol	Characteristic	Unit
Installation classification per DIN VDE 0110, Table 1 for rated mains voltage $\leq 300$ V rms for rated mains voltage $\leq 600$ V rms		I-IV I-III	
Climatic Classification		40/85/21	
Pollution Degree (DIN VDE 0110, Table 1)*		2	
Maximum Working Insulation Voltage	$V_{IORM}$	848	V peak
Input to Output Test Voltage, Method b** $V_{PR} = 1.875 \times V_{IORM}$ , Production test with $t_p = 1$ sec, Partial discharge $< 5$ pC	$V_{PR}$	1591	V peak
Input to Output Test Voltage, Method a** $V_{PR} = 1.5 \times V_{IORM}$ , Type and sample test, $t_p = 60$ sec, Partial discharge $< 5$ pC	$V_{PR}$	1273	V peak
Highest Allowable Overvoltage** (Transient Overvoltage, $t_{TR} = 10$ sec)	$V_{TR}$	6000	V peak
Safety-limiting values (Maximum values allowed in the event of a failure, also see Figure 15) Case Temperature Input Power Output Power	$T_S$ $P_{S,INPUT}$ $P_{S,OUTPUT}$	175 80 250	$^{\circ}C$ mW mW
Insulation Resistance at $T_S$ , $V_{IO} = 500$ V	$R_S$	$\geq 1 \times 10^{12}$	$\Omega$

\*This part may also be used in Pollution Degree 3 environments where the rated mains voltage is  $\leq 300$  V rms (per DIN VDE 0110).

\*\*Refer to the front of the optocoupler section in the current catalog for a more detailed description of VDE 0884 and other product safety requirements.

**Note:** Optocouplers providing safe electrical separation per VDE 0884 do so only within the safety-limiting values to which they are qualified. Protective cut-out switches must be used to ensure that the safety limits are not exceeded.

## Absolute Maximum Ratings

Parameter	Symbol	Min.	Max.	Unit
Storage Temperature	$T_S$	-55	125	°C
Ambient Operating Temperature	$T_A$	-40	85	°C
Supply Voltages	$V_{DD1,2}$	0.0	5.5	V
Input Voltage	$V_I$	-0.5	$V_{DD1} + 0.5$	V
Output Voltage	$V_O$	-0.5	$V_{DD2} + 0.5$	V
Output Enable Voltage	$V_{OE}$	-0.5	$V_{DD2} + 0.5$	V
Average Output Current	$I_O$		25	mA
Package Power Dissipation	$P_{PD}$		220	mW
Lead Solder Temperature (1.6 mm Below Seating Plane, 10 sec.)	$T_{LS}$		260	°C
Reflow Temperature Profile	See <b>Package Outline Drawings</b> Section			

## Recommended Operating Conditions

Parameter	Symbol	Min.	Max.	Unit	Test Conditions
Operating Temperature	$T_A$	-40	85	°C	
Supply Voltages	$V_{DD1,2}$	4.5	5.5	V	
Logic High Input Voltage	$V_{IH}$	2.0	$V_{DD1}$	V	
Logic Low Input Voltage	$V_{IL}$	0.0	0.8	V	
Logic High Output Enable Voltage	$V_{OE H}$	2.0	$V_{DD2}$	V	Output in high impedance state
Logic Low Output Enable Voltage	$V_{OE L}$	0.0	0.8	V	Output enabled
Input Signal Rise and Fall Times	$t_r, t_f$		1	ms	
TTL Fanout	N		6		Standard Loads

## Electrical Specifications

Guaranteed across recommended operating conditions. Test conditions represent worst case values for the parameter under test. Test conditions that are not specified can be anywhere within their operating range. All typicals are at 25°C and 5 V supplies unless otherwise noted.

Parameter	Symbol	Min.	Typ.	Max.	Unit	Test Conditions	Fig.	Note
Logic Low Input Supply Current	$I_{DD1L}$		5.2	10.0	mA	$V_{DD1} = 5.5\text{ V}$ $V_I = V_{IL}$		1
Logic High Input Supply Current	$I_{DD1H}$		0.3	0.6	mA	$V_I = 4.5\text{ V}$ $V_{DD1} = 5.5\text{ V}$		1
			0.9	1.6		$V_I = 2.0\text{ V}$		
Logic Low Output Supply Current	$I_{DD2L}$		5.0	9.0	mA	$V_{DD2} = 5.5\text{ V}$ $V_{OE} = V_{OEL}$ $V_I = V_{IL}$		
Logic High Output Supply Current	$I_{DD2H}$		5.2	9.0	mA	$V_{DD2} = 5.5\text{ V}$ $V_{OE} = V_{OEL}$ $I_O = 0\text{ mA}$ $V_I = V_{IH}$		
Tri-State Output Supply Current	$I_{DD2Z}$		5.1	9.0	mA	$V_{OE} = 4.5\text{ V}$ $V_{DD2} = 5.5\text{ V}$		
			5.6	10.0		$V_{OE} = 2.0\text{ V}$		
Input Current	$I_I$	-1		1	$\mu\text{A}$	$V_I = V_{DD1}$ or GND $V_{DD1} = 5.5\text{ V}$		
Output Enable Current	$I_{OE}$	-1		1	$\mu\text{A}$	$V_{OE} = V_{DD2}$ or GND $V_{DD2} = 5.5\text{ V}$		
Logic High Output Voltage	$V_{OH}$	4.4	5.0		V	$I_O = -20\text{ }\mu\text{A}$ $I_O = -4.0\text{ mA}$ $I_O = -6.0\text{ mA}$	$V_{DD2} = 4.5\text{ V}$ $V_I = V_{IH}$ $V_{OE} = V_{OEL}$	6
Logic High Output Current	$I_{OH}$	-7.5	-25		mA	$V_{DD2} = 4.5\text{ V}$ $V_O = 3.6\text{ V}$ $V_I = V_{IH}$ $V_{OE} = V_{OEL}$		6
Logic Low Output Voltage	$V_{OL}$		0.0	0.1	V	$I_O = 20\text{ }\mu\text{A}$ $I_O = 4.0\text{ mA}$ $I_O = 6.0\text{ mA}$	$V_{DD2} = 4.5\text{ V}$ $V_I = V_{IL}$ $V_{OE} = V_{OEL}$	5
			0.1	0.3				
			0.15	0.4				
Logic Low Output Current	$I_{OL}$	10.5	23		mA	$V_{DD2} = 4.5\text{ V}$ $V_O = 0.6\text{ V}$ $V_I = V_{IL}$ $V_{OE} = V_{OEL}$		5
High Impedance State Output Current	$I_{OZ}$	-5		5	$\mu\text{A}$	$V_{DD2} = 5.5\text{ V}$ $V_{OE} = V_{OEH}$ $V_O = V_{DD2}$ or GND		
Input Capacitance	$C_I$		4.3		pF	$f = 1\text{ MHz}$		4

## Switching Specifications

Guaranteed across recommended operating conditions. Test conditions represent worst case values for the parameter under test. Test conditions that are not specified can be anywhere within their operating range. All typicals are at 25°C and 5 V supplies unless otherwise noted.

Parameter	Symbol	Device	Min.	Typ.	Max.	Unit	Test Conditions	Fig.	Note
Propagation Delay Time to Logic Low Output	$t_{PHL}$	HCPL-7100			70	ns	$C_L = 50$ pF CMOS Signal Levels	7, 8	5, 6
		HCPL-7101		28	40				
		HCPL-7100			70	ns	$C_L = 15$ pF TTL Signal Levels		
		HCPL-7101			40				
Propagation Delay Time to Logic High Output	$t_{PLH}$	HCPL-7100			70	ns	$C_L = 50$ pF CMOS Signal Levels	7, 8	5, 6
		HCPL-7101		27	40				
		HCPL-7100			70	ns	$C_L = 15$ pF TTL Signal Levels		
		HCPL-7101			40				
Pulse Width Distortion $ t_{PHL} - t_{PLH} $	PWD	HCPL-7100			20	ns	$C_L = 50$ pF CMOS Signal Levels	7, 9	6, 7
		HCPL-7101		2	6				
		HCPL-7100			20	ns	$C_L = 15$ pF TTL Signal Levels		
		HCPL-7101			6				
Data Rate		HCPL-7100	15			MBd	% PWD < 30%		8
		HCPL-7101	50	65					
Propagation Delay Skew	$t_{PSK}$	HCPL-7101			10	ns		10	9
Output Rise Time (10-90%)	$t_R$	HCPL-7100		12		ns	$C_L = 50$ pF CMOS Signal Levels	7	
		HCPL-7101		10					
Output Fall Time (90-10%)	$t_F$	HCPL-7100		8		ns	$C_L = 50$ pF CMOS Signal Levels	7	
		HCPL-7101		7					
Random Jitter	RJ	HCPL-7101		50		ps rms	$V_1 = 0-5$ V square wave, $f = 25$ MHz, input rise/ fall time = 5 ns. $R_L = 10$ k $\Omega$ , $C_L = 5$ pF. TTL Threshold Levels.		
Propagation Delay Time From Output Enabled to Logic High Output	$t_{PZH}$			13		ns	$C_L = 50$ pF CMOS Signal Levels	12	6
				12		ns	$C_L = 15$ pF TTL Signal Levels		
Propagation Delay Time From Output Enabled to Logic Low Output	$t_{PZL}$			11		ns	$C_L = 50$ pF CMOS Signal Levels	12	6
				10		ns	$C_L = 15$ pF TTL Signal Levels		

### Switching Specifications (cont.)

Guaranteed across recommended operating conditions. Test conditions represent worst case values for the parameter under test. Test conditions that are not specified can be anywhere within their operating range. All typicals are at 25°C and 5 V supplies unless otherwise noted.

Parameter	Symbol	Device	Min.	Typ.	Max.	Unit	Test Conditions	Fig.	Note
Propagation Delay Time from Logic High to Output Disabled	$t_{PHZ}$			12		ns	$C_L = 50$ pF CMOS Signal Levels	12	6
				12		ns	$C_L = 15$ pF TTL Signal Levels		
Propagation Delay Time from Logic Low to Output Disabled	$t_{PLZ}$			9		ns	$C_L = 50$ pF CMOS Signal Levels	12	6
				11		ns	$C_L = 15$ pF TTL Signal Levels		
Common Mode Transient Immunity at Logic High Output	$ CM_H $	HCPL-7100	1000			V/ $\mu$ s	$V_{CM} = 50$ V $V_I = V_{IH}$ $V_D > 3.2$ V	13,	10
		HCPL-7101	2000				$V_{CM} = 200$ V	14	
Common Mode Transient Immunity at Logic Low Output	$ CM_L $	HCPL-7100	1000			V/ $\mu$ s	$V_{CM} = 50$ V $V_I = V_{IL}$ $V_D < 0.8$ V	13,	10
		HCPL-7101	2000				$V_{CM} = 200$ V	14	
Input Dynamic Power Dissipation Capacitance	$C_{PD1}$			68		pF			11
Output Dynamic Power Dissipation Capacitance	$C_{PD2}$			10		pF			11

### Package Characteristics

Guaranteed across recommended operating conditions. Test conditions represent worst case value for the parameter under test. Test conditions that are not specified can be anywhere within their operating range. All typicals are at  $T_A = 25^\circ\text{C}$  and 5 V supplies unless otherwise noted.

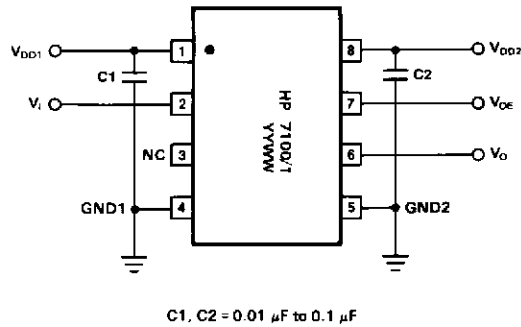
Parameter	Sym.	Min.	Typ.	Max.	Units	Test Conditions	Fig.	Note
Input-Output Momentary Withstand Voltage*	$V_{ISO}$	3750			V rms	$t = 1$ min., RH < 50%, $T_A = 25^\circ\text{C}$		2, 3
Input-Output Resistance	$R_{I-O}$	$10^{12}$	$10^{13}$		$\Omega$	$T_A = 25^\circ\text{C}$ $T_A = 100^\circ\text{C}$	$V_{I-O} = 500$ Vdc	2
		$10^{11}$						
Input-Output Capacitance	$C_{I-O}$		0.7		pF	$f = 1$ MHz		2

\*The Input-Output Momentary Withstand Voltage is a dielectric voltage rating that should not be interpreted as an input-output continuous voltage rating. For the continuous voltage rating refer to the VDE 0884 Insulation Characteristics Table (if applicable), your equipment level safety specification or HP Application Note 1074 entitled "Optocoupler Input-Output Endurance Voltage."

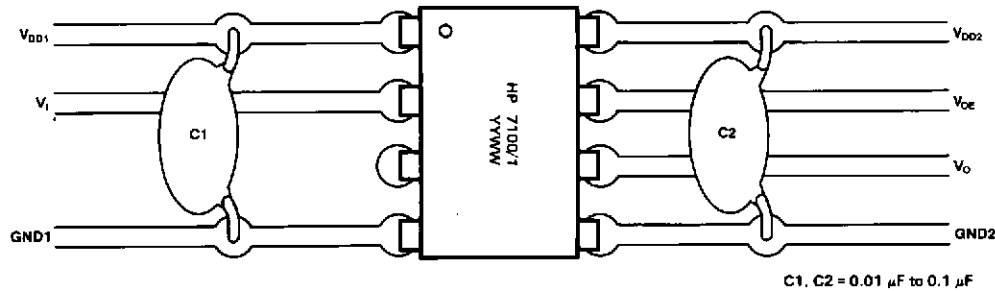


**Notes:**

1. The LED is OFF when the  $V_I$  is high and ON when  $V_I$  is low.
  2. Device considered a two terminal device; pins 1-4 shorted together and pins 5-8 shorted together.
  3. In accordance with UL 1577, for devices with minimum  $V_{ISO}$  specified at 3750 V rms, each optocoupler is proof-tested by applying an insulation test voltage greater than 4500 V rms for one second (leakage current detection limit  $I_{L0} < 5 \mu A$ ). This test is performed before the method b, 100% production test for partial discharge shown in the VDE 0884 Insulation Characteristics Table.
  4.  $C_I$  is the capacitance measured at pin 2 ( $V_I$ ).
  5.  $t_{PHL}$  propagation delay is measured from the 50% level on the falling edge of the  $V_I$  signal to the logic switching level of the  $V_O$  signal.
  6.  $t_{PLH}$  propagation delay is measured from the 50% level on the rising edge of the  $V_I$  signal to the logic switching level of the  $V_O$  signal.
  7. The logic switching levels are 1.5 V for TTL signals (0-3 V) and 2.5 V for CMOS signals (0-5 V).
  8.  $PWD$  is defined as  $|t_{PHL} - t_{PLH}|$ . %PWD (percent pulse width distortion) is equal to PWD in ns divided by symbol duration (bit length) in ns.
  9. Minimum data rate is calculated as follows: %PWD/PWD where %PWD is typically chosen by the design engineer (30% is common).
  10.  $t_{PSK}$  is equal to the worst case difference in  $t_{PHL}$  and/or  $t_{PLH}$  that will be seen between units at the same temperature, supply voltage, and output load within the recommended operating condition range.
  11.  $CM_H$  is the maximum common mode voltage slew rate that can be sustained while maintaining  $V_O > 3.2$  V.  $CM_L$  is the maximum common mode voltage slew rate that can be sustained while maintaining  $V_O < 0.8$  V. The common mode voltage slew rates apply to both rising and falling common mode voltage edges.
11. Unloaded dynamic power dissipation is calculated as follows:  $C_{PD} \cdot V_{DD}^2 \cdot f + I_{DD} \cdot V_{DD}$  where  $f$  is switching frequency in MHz.



**Figure 1. Recommended Application Circuit.**



**Figure 2. Recommended Printed Circuit Board Layout.**

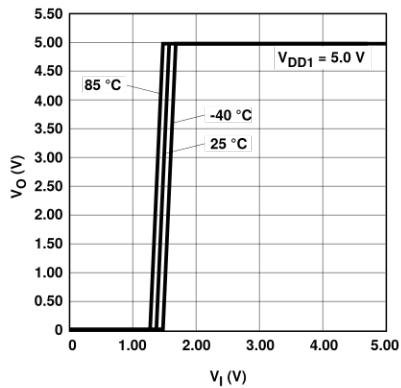


Figure 3. Typical Output Voltage vs. Input Voltage.

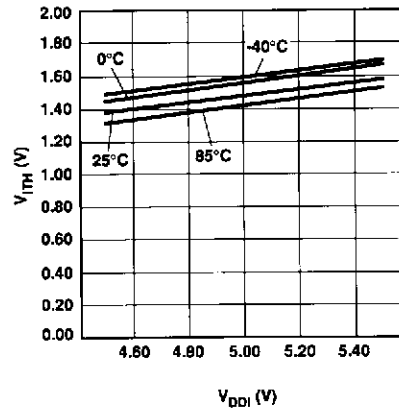


Figure 4. Typical Input Voltage Switching Threshold vs. Input Supply Voltage.

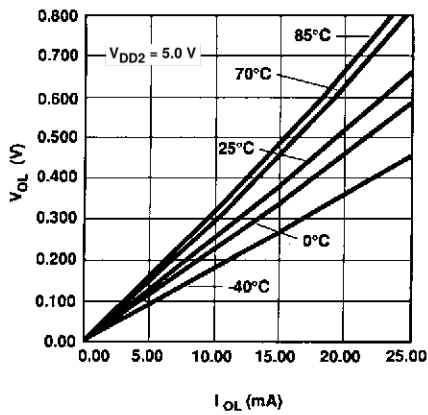


Figure 5. Typical Logic Low Output Voltage vs. Logic Low Output Current.

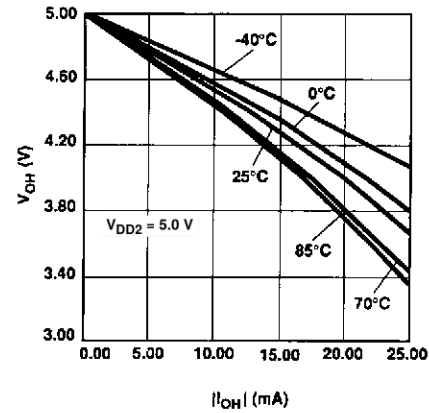


Figure 6. Typical Logic High Output Voltage vs. Logic High Output Current.

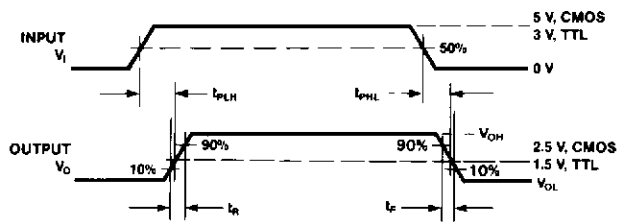
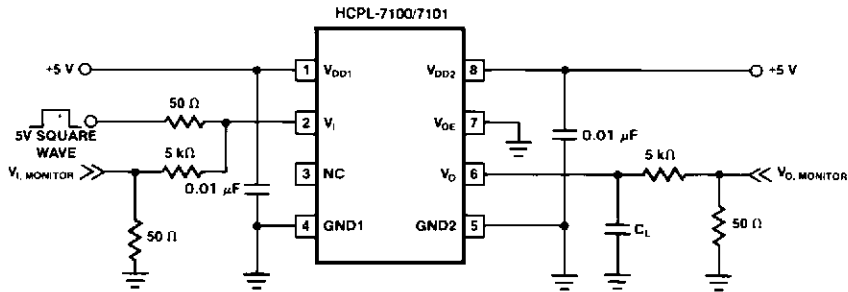


Figure 7. Test Circuit for Propagation Delay, Rise Time and Fall Time.

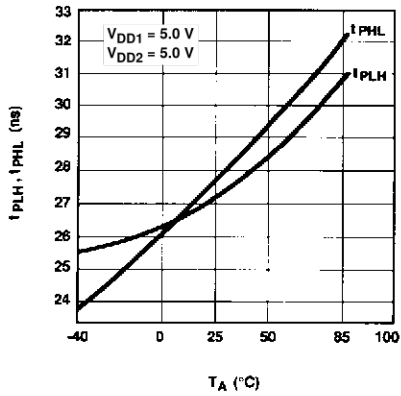


Figure 8. HCPL-7101 Typical Propagation Delay vs. Temperature.

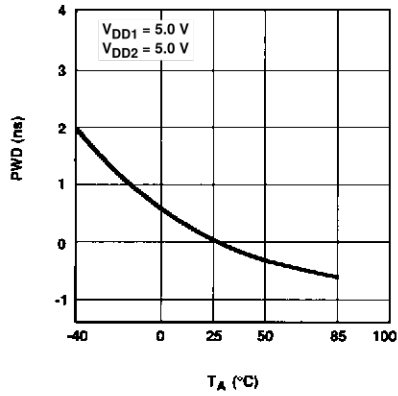


Figure 9. HCPL-7101 Typical Pulse Width Distortion vs. Temperature.

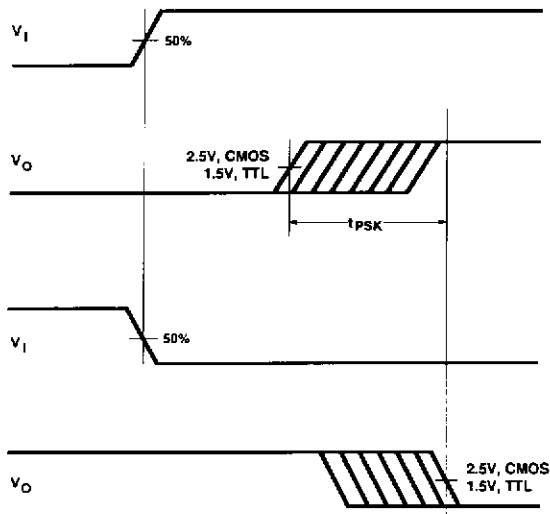


Figure 10. Propagation Delay Skew Waveform.

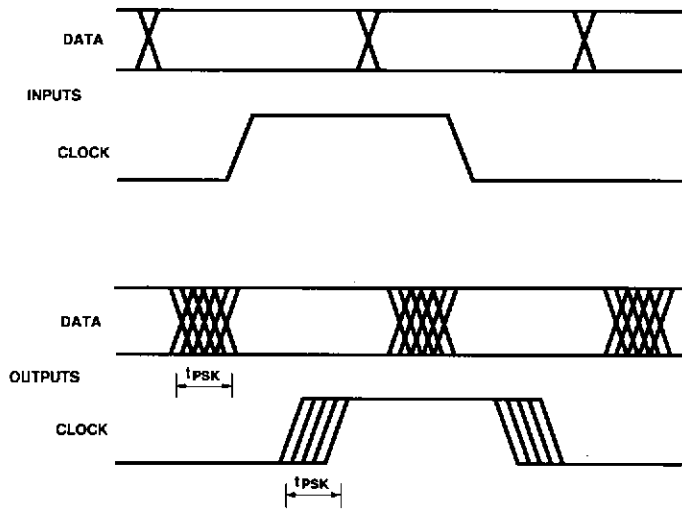
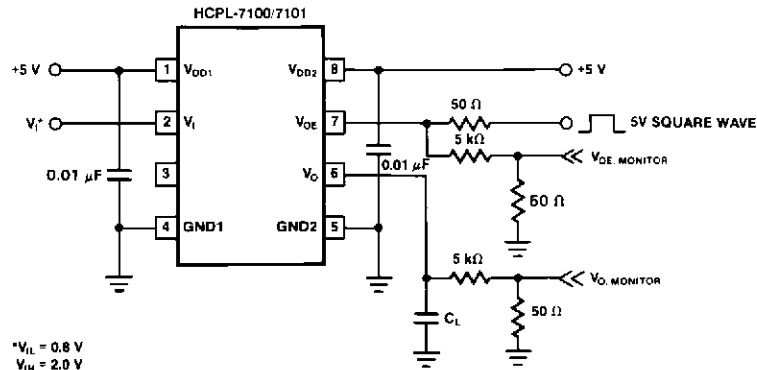


Figure 11. Parallel Data Transmission Example.



\* $V_{IL} = 0.8\text{ V}$   
 $V_{IH} = 2.0\text{ V}$

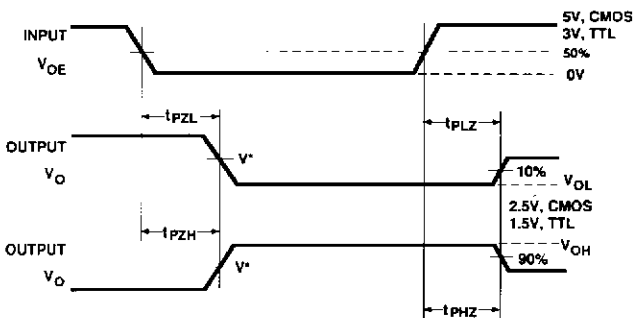


Figure 12. Test Circuit for 3-State Output Enable and Disable Propagation Delays.

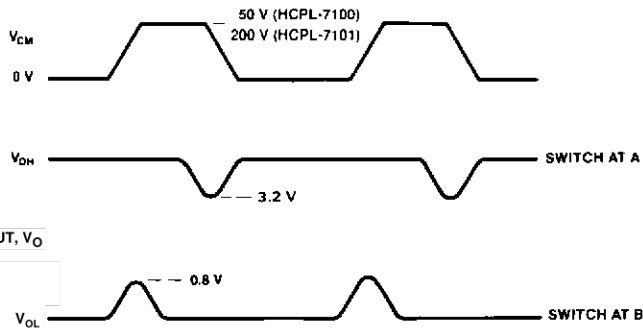
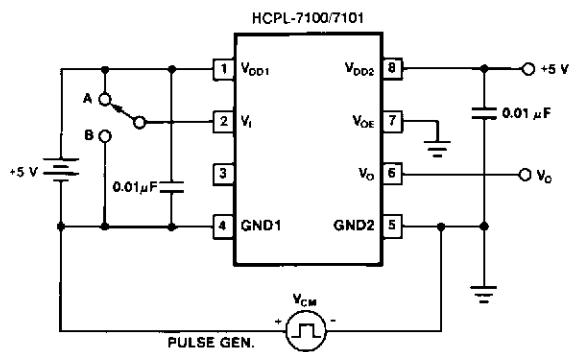


Figure 13. Test Circuit for Common Mode Transient Immunity and Typical Waveforms.

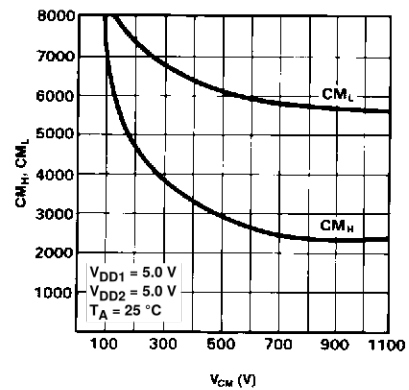


Figure 14. Typical Common Mode Transient Immunity vs. Common Mode Transient Voltage.

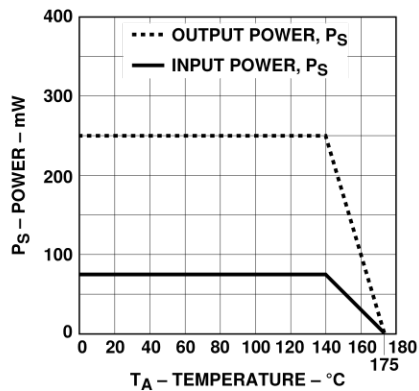


Figure 15. Dependence of Safety-Limiting Data on Ambient Temperature.

## HCPL-7100/7101 Application Information

The HCPL-7100/7101 is extremely easy to use. Because the optocoupler uses high-speed CMOS IC technology, the inputs and output are fully compatible with all +5 V TTL and CMOS logic. TTL or CMOS logic can be connected directly to the inputs and output; no external interface circuitry is required.

As shown in Figure 1, the only external components required for proper operation are two ceramic bypass capacitors. Capacitor values should be between 0.01  $\mu\text{F}$  and 0.1  $\mu\text{F}$ . For each capacitor, the total lead length between both ends of the capacitor and the power-supply pins should not exceed 20 mm. Figure 2 illustrates the recommended printed circuit board layout for the HCPL-7100/7101.

### Propagation Delay, Pulse-Width Distortion, and Propagation Delay Skew

Propagation delay is a figure of merit which describes how quickly a logic signal propagates through a system. The propagation delay from low to high ( $t_{\text{PLH}}$ ) is the amount of time required for an input signal to propagate to the output, causing the output to change from low to high. Similarly, the propagation delay from high to low ( $t_{\text{PHL}}$ ) is the amount of time required for the input signal to propagate to the output, causing the output to change from high to low (see Figure 7).

Pulse-width distortion (PWD) results when  $t_{\text{PLH}}$  and  $t_{\text{PHL}}$  differ in

value. PWD is defined as the difference between  $t_{\text{PLH}}$  and  $t_{\text{PHL}}$  and often determines the maximum data rate capability of a transmission system. PWD can be expressed in percent by dividing the PWD (in ns) by the minimum pulse width (in ns) being transmitted. Typically, PWD on the order of 20-30% of the minimum pulse width is tolerable; the exact figure depends on the particular application (RS232, RS422, T-1, etc.).

Propagation delay skew,  $t_{\text{PSK}}$ , is an important parameter to consider in parallel data applications where synchronization of signals on parallel data lines is a concern. If the parallel data is being sent through a group of optocouplers, differences in propagation delays will cause the data to arrive at the outputs of the optocouplers at different times. If this difference in propagation delays is large enough, it will determine the maximum rate at which parallel data can be sent through the optocouplers.

Propagation delay skew is defined as the difference between the minimum and maximum propagation delays, either  $t_{\text{PLH}}$  or  $t_{\text{PHL}}$ , for any given group of optocouplers which are operating under the same conditions (i.e., the same supply voltage, output load, and operating temperature). As illustrated in Figure 10, if the inputs of a group of optocouplers are switched either ON or OFF at the same time,  $t_{\text{PSK}}$  is the difference between the shortest propagation delay, either  $t_{\text{PLH}}$  or  $t_{\text{PHL}}$ , and the longest propagation delay, either  $t_{\text{PLH}}$  or  $t_{\text{PHL}}$ .

As mentioned earlier,  $t_{\text{PSK}}$  can determine the maximum parallel data transmission rate. Figure 11 is the timing diagram of a typical parallel data application with both the clock and the data lines being sent through optocouplers. The figure shows data and clock signals at the inputs and outputs of the optocouplers. To obtain the maximum data transmission rate, both edges of the clock signal are being used to clock the data; if only one edge were used, the clock signal would need to be twice as fast.

Propagation delay skew represents the uncertainty of where an edge might be after being sent through an optocoupler. Figure 11 shows that there will be uncertainty in both the data and the clock lines. It is important that these two areas of uncertainty not overlap, otherwise the clock signal might arrive before all of the data outputs have settled, or some of the data outputs may start to change before the clock signal has arrived. From these considerations, the absolute minimum pulse width that can be sent through optocouplers in a parallel application is twice  $t_{\text{PSK}}$ . A cautious design should use a slightly longer pulse width to ensure that any additional uncertainty in the rest of the circuit does not cause a problem.

The HCPL-7101 optocoupler offers the advantages of guaranteed specifications for propagation delays, pulse-width distortion and propagation delay skew over the recommended temperature, and power supply ranges.