

## J308, J309, J310 N-Channel JFET

### Features

- InterFET [N0072L Geometry](#)
- Low Noise: 2 nV/√Hz Typical
- Low Ciss: 4pF Typical
- RoHS Compliant
- SMT, TH, and Bare Die Package options.

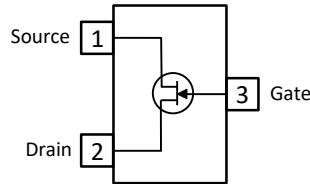
### Applications

- Mixers
- Oscillators
- VHF/UHF Amplifiers

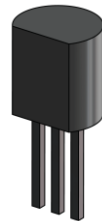
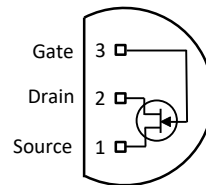
### Description

The -25V InterFET J308, J309, and J310 are targeted for higher gain VHF amplifiers, mixers, and oscillators. Gate leakages are typically less than 10pA at room temperatures.

SOT23 Top View



TO-92 Bottom View



### Product Summary

Parameters	J308 Min	J309 Min	J310 Min	Unit
BV <sub>GSS</sub> Gate to Source Breakdown Voltage	-25	-25	-25	V
I <sub>DSS</sub> Drain to Source Saturation Current	12	12	24	mA
V <sub>GS(off)</sub> Gate to Source Cutoff Voltage	-1	-1	-2	V
G <sub>FS</sub> Forward Transconductance	8	10	8	mS

### Ordering Information Custom Part and Binning Options Available

Part Number	Description	Case	Packaging
J308; J309; J310	Through-Hole	TO-92	Bulk
SMPJ308; SMPJ309; SMPJ310	Surface Mount	SOT23	Bulk
SMPJ308TR; SMPJ309TR; SMPJ310TR	7" Tape and Reel: Max 3,000 Pieces 13" Tape and Reel: Max 9,000 Pieces	SOT23	Minimum 1,000 Pieces Tape and Reel
J308COT; J309COT; J310COT	Chip Orientated Tray (COT Waffle Pack)	COT	400/Waffle Pack
J308CFT; J309CFT; J310CFT	Chip Face-up Tray (CFT Waffle Pack)	CFT	400/Waffle Pack



**Disclaimer:** It is the Buyers responsibility for designing, validating and testing the end application under all field use cases and extreme use conditions. Guaranteeing the application meets required standards, regulatory compliance, and all safety and security requirements is the responsibility of the Buyer. These resources are subject to change without notice.

## Electrical Characteristics

### Maximum Ratings (@ $T_A = 25^\circ\text{C}$ , Unless otherwise specified)

Parameters	Value	Unit
$V_{RGS}$ Reverse Gate Source and Gate Drain Voltage	-25	V
$I_{FG}$ Continuous Forward Gate Current	10	mA
$P_D$ Continuous Device Power Dissipation	360	mW
$P$ Power Derating	3.27	mW/ $^\circ\text{C}$
$T_J$ Operating Junction Temperature	-55 to 125	$^\circ\text{C}$
$T_{STG}$ Storage Temperature	-65 to 150	$^\circ\text{C}$

### Static Characteristics (@ $T_A = 25^\circ\text{C}$ , Unless otherwise specified)

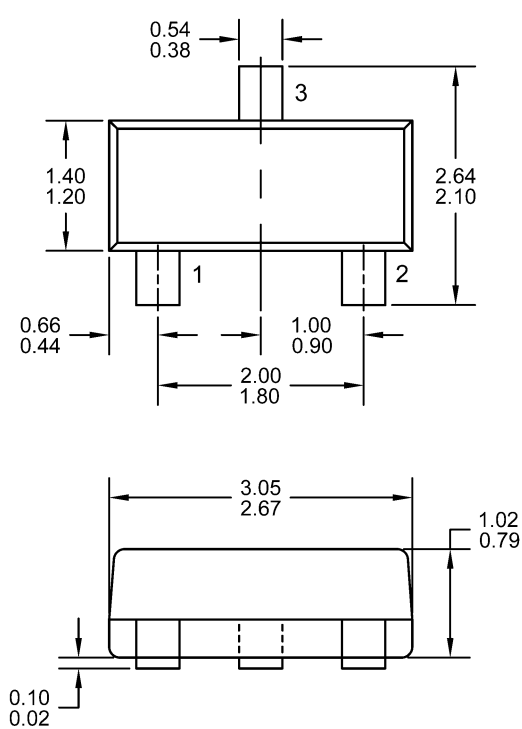
Parameters	Conditions	J308			J309			J310			Unit
		Min	Typ	Max	Min	Typ	Max	Min	Typ	Max	
$V_{(BR)GSS}$ Gate to Source Breakdown Voltage	$V_{DS} = 0V, I_G = -1\mu\text{A}$	-25			-25			-25			V
$I_{GSS}$ Gate to Source Reverse Current	$V_{GS} = -15V, V_{DS} = 0V, T_A = 25^\circ\text{C}$ $V_{GS} = -15V, V_{DS} = 0V, T_A = 125^\circ\text{C}$			-1			-1			-1	nA $\mu\text{A}$
$V_{GS(OFF)}$ Gate to Source Cutoff Voltage	$V_{DS} = 10V, I_D = 1\text{nA}$	-1		-6.5	-1		-4	-2		-6.5	V
$V_{GS(F)}$ Gate to Source Forward Voltage	$V_{DS} = 0V, I_G = 1\text{mA}$			1			1			1	V
$I_{DSS}$ Drain to Source Saturation Current	$V_{GS} = 0V, V_{DS} = 10V$ (Pulsed)	12		60	12		30	24		60	mA

### Dynamic Characteristics (@ $T_A = 25^\circ\text{C}$ , Unless otherwise specified)

Parameters	Conditions	J308			J309			J310			Unit
		Min	Typ	Max	Min	Typ	Max	Min	Typ	Max	
$G_{FS}$ Forward Transconductance	$V_{DS} = 10V, I_D = 10\text{mA}, f = 1\text{kHz}$	8	17		10	17		8	17		mS
$G_{OS}$ Output Conductance	$V_{DS} = 10V, I_D = 10\text{mA}, f = 1\text{kHz}$			250			250			250	$\mu\text{S}$
$G_{FG}$ Gate Forward Transconductance	$V_{DS} = 10V, I_D = 10\text{mA}, f = 1\text{kHz}$		13			13			1.2		mS
$G_{OG}$ Gate Output Transconductance	$V_{DS} = 10V, I_D = 10\text{mA}, f = 1\text{kHz}$		150			100			150		$\mu\text{S}$
$C_{dg}$ Drain Capacitance	$V_{DS} = 0V, V_{GS} = -10V, f = 1\text{MHz}$		1.8	2.5		1.8	2.5		1.8	2.5	pF
$C_{gs}$ Source Capacitance	$V_{DS} = 0V, V_{GS} = -10V, f = 1\text{MHz}$		4	5		4	5		4	5	pF
$e_n$ Noise Voltage	$V_{DS} = 10V, I_D = 10\text{mA}, f = 100\text{kHz}$			10			10			10	nV/ $\sqrt{\text{Hz}}$
NF Noise Figure	$V_{DS} = 15V, I_D = 10\text{mA}, f = 105\text{MHz}$ $V_{DS} = 15V, I_D = 10\text{mA}, f = 450\text{MHz}$		1.5			1.5			1.5		dB
			2.7			2.7			2.7		

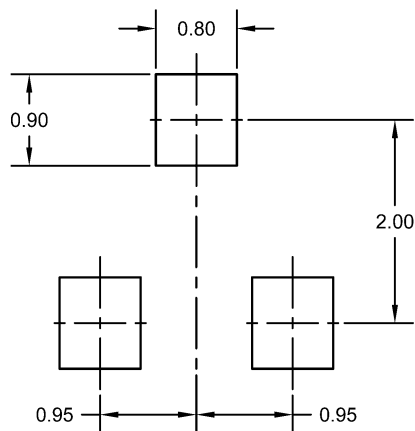
## SOT23 (TO-236AB) Mechanical and Layout Data

### Package Outline Data



1. All linear dimensions are in millimeters.
2. Package weight approximately 0.12 grams
3. Molded plastic case UL 94V-0 rated
4. For Tape and Reel specifications refer to InterFET CTC-021 Tape and Reel Specification, Document number: IF39002
5. Bulk product is shipped in standard ESD shipping material
6. Refer to JEDEC standards for additional information.

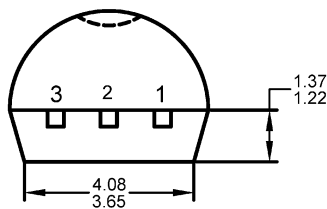
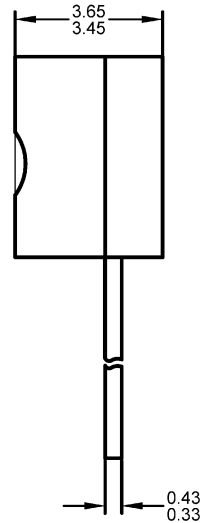
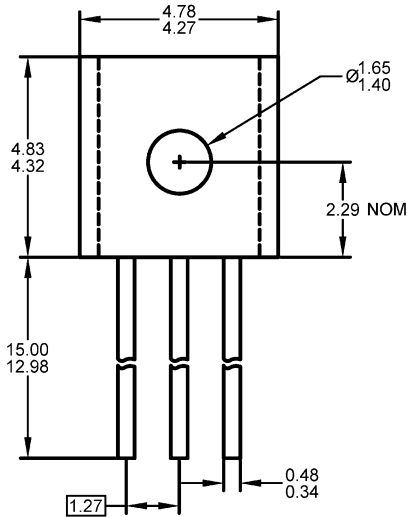
### Suggested Pad Layout



1. All linear dimensions are in millimeters.
2. The suggested land pattern dimensions have been provided for reference only. A more robust pattern may be desired for wave soldering.

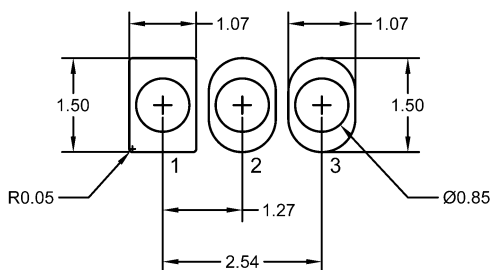
## TO-92 Mechanical and Layout Data

### Package Outline Data



1. All linear dimensions are in millimeters.
2. Package weight approximately 0.19 grams
3. Molded plastic case UL 94V-0 rated
4. Bulk product is shipped in standard ESD shipping material
5. Refer to JEDEC standards for additional information.

### Suggested Through-Hole Layout



1. All linear dimensions are in millimeters.
2. The suggested land pattern dimensions have been provided as a straight lead reference only. A more robust pattern may be desired for wave soldering and/or bent lead configurations.