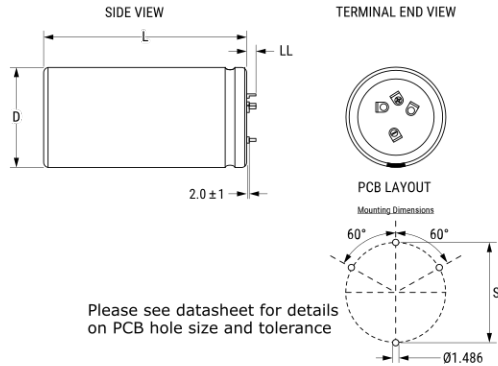


KEMET Part Number: ALF70C822DC063
(A556EE822M063C)

ALF70, Aluminum Electrolytic, 8,200 uF, 20%, 63 VDC, -40/+85°C



General Information	
Series:	ALF70
Dielectric:	Aluminum Electrolytic
Style:	Press-Fit
Description:	Press-Fit, Aluminum Electrolytic
RoHS:	Yes
Lead:	4 Pin Press-Fit
AEC-Q200:	No
Halogen Free:	Yes
Notes:	Dimensions D And L Include Sleevings.
Shelf Life:	156 Weeks

Dimensions	
D	35mm +1mm
L	35mm +/-2mm
S	22.5mm +/-0.1mm
LL	5.5mm +/-1mm
F	1.486mm +/-0.076mm

Packaging Specifications	
Weight:	60 g
Sleevings:	Yes
Packaging:	Bulk

Specifications	
Capacitance:	8,200 uF
Capacitance Tolerance:	20%
Voltage DC:	63 VDC, 72.5 VDC (Surge)
Temperature Range:	-40/+85°C
Rated Temperature:	85°C
Life:	15000 Hrs (Rated Voltage And Ripple Current At 85C), 24000 Hrs (Rated Voltage at 85C)
Resistance:	52.58 mOhms (100Hz 20C), 40.98 mOhms (10kHz 20C)
Ripple Current:	5.79 Amps (100Hz 85C), 7.5 Amps (10kHz 85C)
Leakage Current:	3100 uA (5min 20°C)