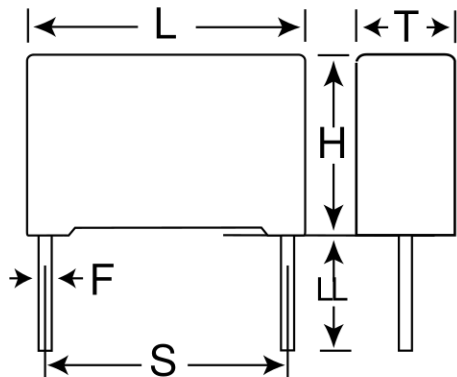


Capacitor, film, 2.2 uF, +/-20% Tol, -40/+110C, Safety: X2, 275VAC, Lead Spacing=27.5 mm



Dimensions (mm)		
Symbol	Dimension	Tolerance
L	32	+0.3
H	22	+0.1
T	13	+0.2
S	27.5	+/-0.4
LL	4	+2/-0
F	0.8	+/-0.05

Notes:

-L,H,T are nominal dimensions and do not imply a minimum.

General Information

Supplier: KEMET

Specifications

Capacitance:	2.2 uF
Rated Temperature:	110° C
Voltage @ rated temp:	560VDC
Voltage AC:	275VAC
Tolerance:	+/-20%
Body Type:	Radial Box
Dielectric:	Metallized Polypropylene
Application:	Safety: X2
Temperature Range:	-40/+110C
Dissipation Factor @ 1 kHz:	0.1%
Insulation Resistance:	13.64 MOhm
Maximum dVdT:	150v/us

Agency Approvals

Approvals: ENEC,UL,cUL,CQC

Packaging Specifications

Package Kind:	Bulk
Package Quantity:	480