

Diode type D22 are design for use in power rectifying circuits under normal operating conditions.

KEY PARAMETERS

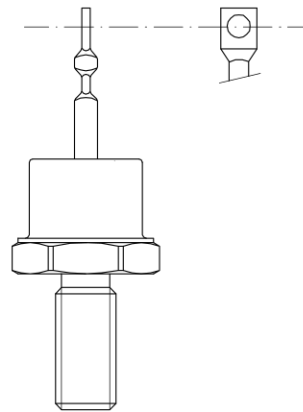
U_{RRM}	up to 1600 V
I_{F(AV)}	10 A
I_{FSM}	190 A

FEATURES

- all diffused design
- high current capabilities
- high surge current capabilities
- compact size and small weight
- tested according to IEC standards

APPLICATION

- Medium Voltage Power Supplies
- Motor Control
- Battery Chargers
- Free Wheeling Diode
- Resistance Welding



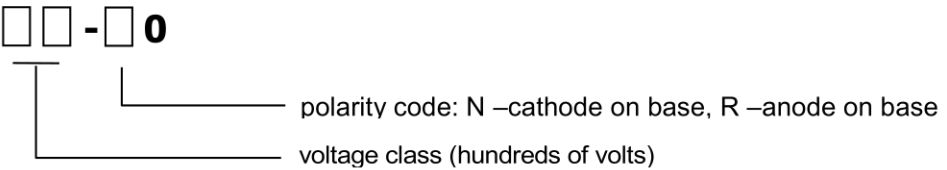
Outline type code: DO-4

See package details for further information

ORDERING INFORMATION

When ordering please refer to device code builder presented below.
Please use the complete part number when ordering, quote or in any future correspondence relating to your order.

D22-10- - **0**



ELECTRICAL PARAMETERS

Voltage ratings

Voltage class	U _{RRM}	I _{RRM}
	V	mA
01	100	6
02	200	
04	400	
06	600	
08	800	
10	1000	
12	1200	
14	1400	
16	1600	

Electrical properties

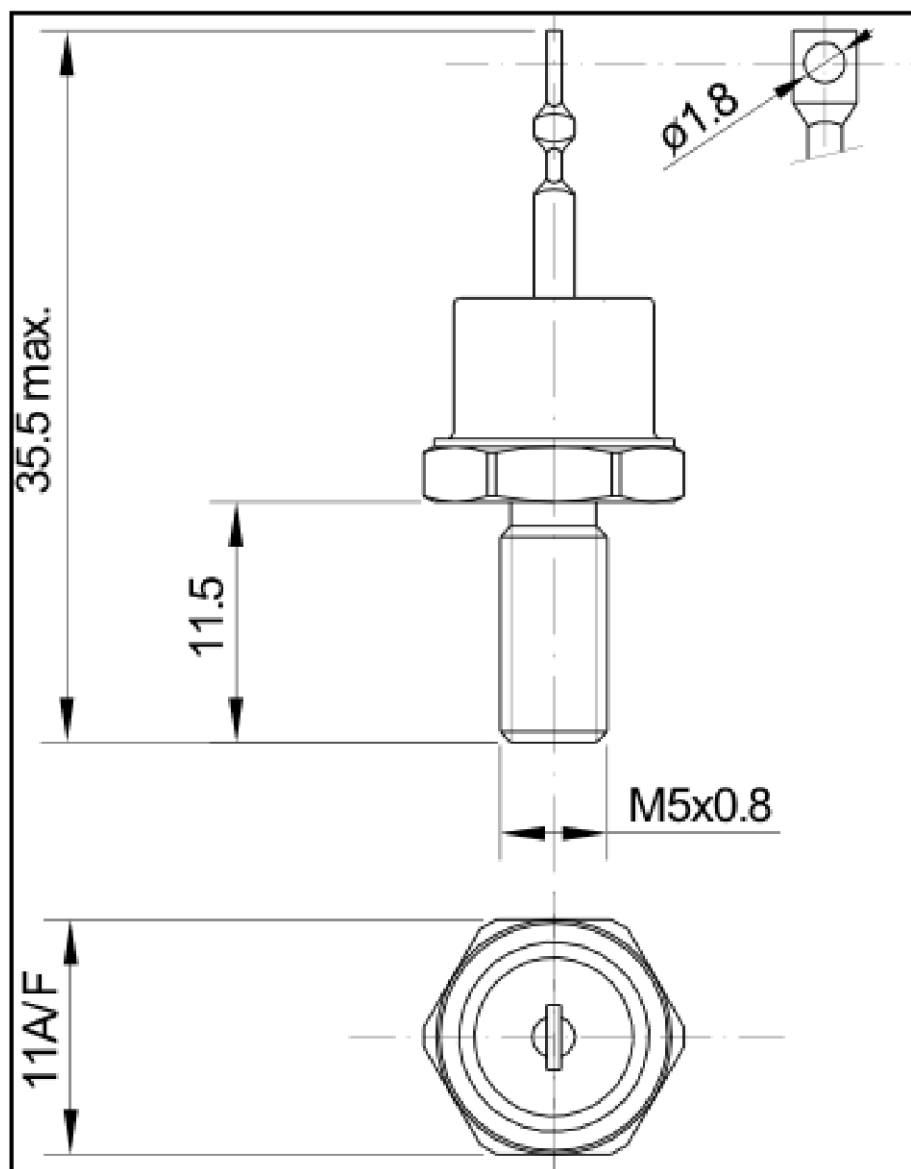
Parameter		Unit	Test conditions	Value
Average forward current @ case temperature	$I_{F(AV)}$	A		10
	T_c	°C		110
RMS forward current	$I_{F(RMS)}$	A		15,7
Surge current	I_{FSM}	A	$t_p=10ms$	190
I^2t – value	I^2t	kA ² s	$T_j=T_{JMAX}$	0,19
Forward voltage drop max.	U_{FM}	V	$T_j=25^\circ C, I_{FM}=31,4A$	1,50
Threshold voltage	$U_{F(T0)}$	V	$T_j=T_{jmax}$	1,15
Slope resistance	r_F	mΩ		14

Termal properties

Parameter		Unit	Test conditions	Value
Thermal resistance, junction to case	R_{thJC}	°C/W	two sided, DC	2,00
Operating junction temperature	$T_{jmin}...T_{jmax}$	°C		-25...+140
Storage temperature	T_{stg}	°C		-25...+140

Mechanical properties

Parameter		Unit	Value
Mounting torque	F_M	Nm	1,2 – 1,5
Weight	m	g	7



For further package information, please contact Sales & Marketing Department. All dimensions in mm, unless stated otherwise.
Do not scale.