

圖號 DRAWING No. :

品名 NAME: Ring

ITEM No. :

校訂版次 REVISIONS

| 版次 | 記述 DESCRIPTION | DATE | 核可 |
|----|----------------|------|----|
|    |                |      |    |
|    |                |      |    |
|    |                |      |    |

MAXIMUM ELECTRIC CURRENT

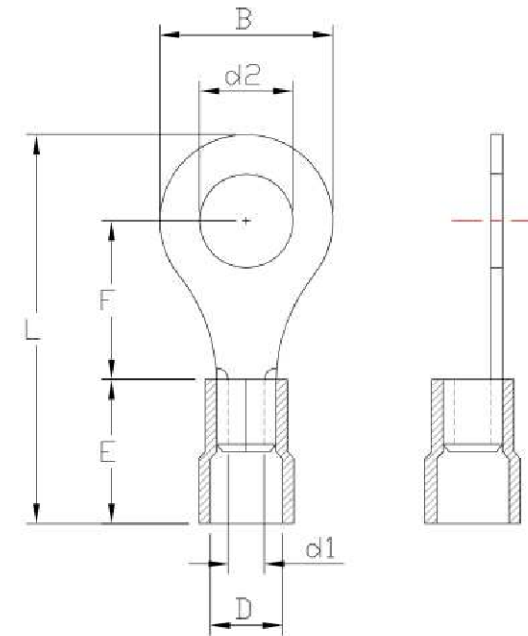
|         |    |    |
|---------|----|----|
| A. W. G | 16 | 14 |
| MAX AMP | 18 | 30 |



NOTE:

1. MAXIMUM ELECTRICAL RATING: 105°C 600 VOLTS
2. WIRE RANGE: 16-14AWG / 1.5-2.5 mm<sup>2</sup>  
INSULATED COLOR: BLUE
3. MATERIAL THICKNESS: t  
TOLERANCE: ±0.05

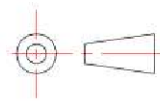
| WIRE RANGE<br>AWG/mm <sup>2</sup>    | 產品編號<br>ITEM NO. | d2<br>±0.20 | B<br>±0.20 | F<br>±0.30 | L<br>±1.00 | E<br>±0.60 | D<br>±0.30 | d1<br>±0.20 | t   |
|--------------------------------------|------------------|-------------|------------|------------|------------|------------|------------|-------------|-----|
| 16-14 AWG<br>1.5-2.5 mm <sup>2</sup> |                  | 2.2         | 6.4        | 4.3        | 17.5       | 10.0       | 4.5        | 2.3         | 0.8 |
|                                      |                  | 3.2         | 6.4        | 4.3        | 17.5       |            |            |             |     |
|                                      |                  | 3.7         | 6.4        | 4.3        | 17.5       |            |            |             |     |
|                                      |                  | 3.7         | 6.6        | 6.3        | 19.5       |            |            |             |     |
|                                      |                  | 3.7         | 8.5        | 7.8        | 22.0       |            |            |             |     |
|                                      | ST-081/B         | 4.3         | 6.6        | 6.3        | 19.5       |            |            |             |     |
|                                      |                  | 4.3         | 8.5        | 7.8        | 22.0       |            |            |             |     |
|                                      |                  | 5.3         | 8.5        | 7.8        | 22.0       |            |            |             |     |
|                                      |                  | 5.3         | 9.5        | 7.3        | 22.0       |            |            |             |     |
|                                      |                  | 6.5         | 12.0       | 11.0       | 27.0       |            |            |             |     |
|                                      |                  | 8.4         | 12.0       | 11.0       | 27.0       |            |            |             |     |
|                                      |                  | 10.5        | 13.6       | 13.9       | 30.7       |            |            |             |     |
|                                      | 13.0             | 19.2        | 16.0       | 35.6       |            |            |            |             |     |



認可 APPROVALS

|             |      |
|-------------|------|
| 製圖 DRAFT:   | TINA |
| 設計 DESIGN:  | KEN  |
| 核可 CHECKED: | ANDY |

第三視角  
THIRD VIEW



MATERIAL

INSULATION: VINYL  
MATERIAL: COPPER  
TIN PLATING

單位 UNIT

m/m  
比例 SCALE

日期 DATE: 2015.01.05