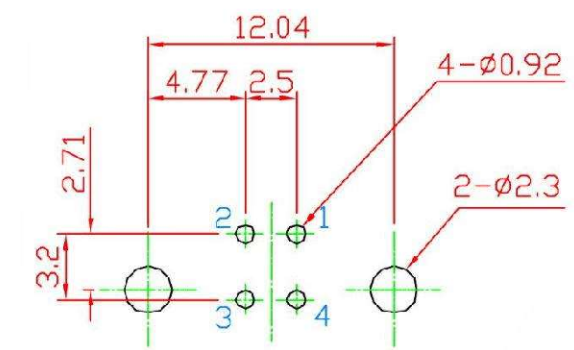


Specification:  
 Contact Resistance: 30m Ohm Max.  
 Insulation Resistance: 1000M Ohm Min. At 500VDC.  
 Rated Voltage And Current: 1.5A At 250VAC Minimum.  
 Dielectric Withstanding Voltage:  
     500V AC (rms) for 1 Minute(Rev. 2.0)  
 Durability (Life Test): 1500 Cycles  
 Insertion Force: 35 Newton Maximum.  
 Extraction Force: 10 Newton Minimum.



(COMPONENT SIDE)  
PCB LAYOUT

NO.	NAME	MATERIAL	FINISH	REMARK	Q'TY
1	HOUSING	PBT G.F.	WHITE		1
2	PIN TERM.	PHOS. BRONZE T:0.25	GOLD/TIN PLATED	Gold:30u" NI:40~60u" TIN:120u" (100% pure Tin of lead free plating)	4
3	SHELL	BRASS T:0.3	NICKEL PLATED	NI:80~120u"	1
4	BOTTOM COVER	PBT G.F.	WHITE		1

RoHS  
Compliant

APPD. 核准	SCALE 比例	TOLERANCE 容許公差	PART NAME 品名 USB B TYPE DIP TYPE 4P FEMALE 180° NICKEL SHELL SELECTIVE GOLD PLATING WHITE COLOR ROHS
DWG. 製圖 HELEN	UNIT 單位	SIZE 板框尺寸	
DATE 制表日 2011/11/21	PAGE 張數	REV. 版次	PART NO. 料號
	1 OF 1	A	USBB-BV