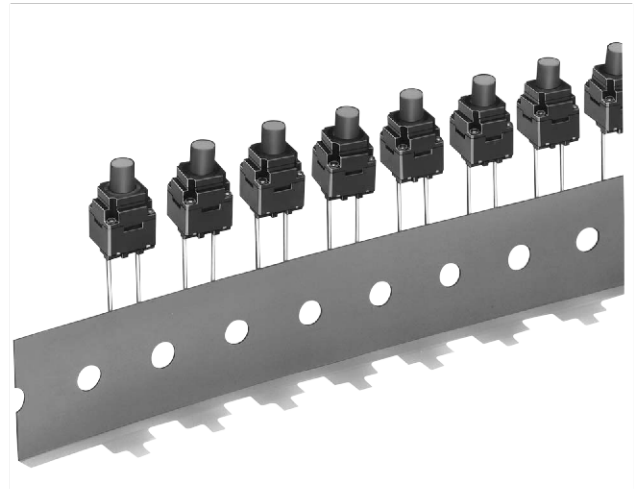


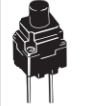
Double-sealed Construction Assures Watertight/Dust-tight Protection

- Sealed construction conforming to IP67 (IEC-60529) provides high reliability in dusty or humid environments. (* Excluding the terminal section)
- As compact as 8 mm × 8 mm.
- Allows the use of radial-taping part insertion machines.

RoHS Compliant



■ List of Models

Model	Height	Operating force (OF)	Model without ground terminal	Quantity per package
8 x 8 mm B3WN 	13 mm	1.96 N {200 gf}	B3WN-6002(S)	1,000 Switches
		2.55 N {260 gf}	B3WN-6005	

Note: The switches are tape packaged in units of 1,000 per package. Order in multiples of the package size. Switches are not sold individually

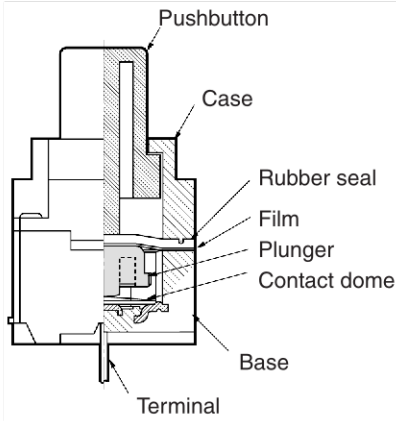
■ Ratings/Characteristics

Ratings	1 to 50 mA, 5 to 12 VDC (resistive load)
Ambient operating temperature	-25°C to +85°C at 60%RH max. (with no icing or condensation)
Ambient operating humidity	35% to 85% (at +5 to +35°C)
Contact form	SPST-NO
Contact resistance	100 mΩ max. (initial value) (rated: 1 mA, 5 VDC)
Insulation resistance	100 MΩ min. (at 100 VDC)
Dielectric strength	250 VAC, 50/60Hz for 1 min
Bounce time	10 ms max.
Vibration resistance	Malfunction: 10 to 55 Hz, 1.5-mm double amplitude
Shock resistance	Destruction: 784 m/s ² {approx. 80G} max. Malfunction: 100 m/s ² {approx. 10G} max.
Durability	100,000 operations min.
Weight	Approx. 0.7 g

■ Operating Characteristics

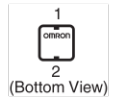
Item	B3WN-6002(S)	B3WN-6005
Operating force (OF)	1.96±0.69 N {200±70 gf}	2.55±0.69 N {260 gf±70 gf}
Releasing force (RF)	0.49 N {50 gf} min.	
Pretravel (PT)	0.3 ^{+0.2} _{-0.1} mm	

■ Model Structure

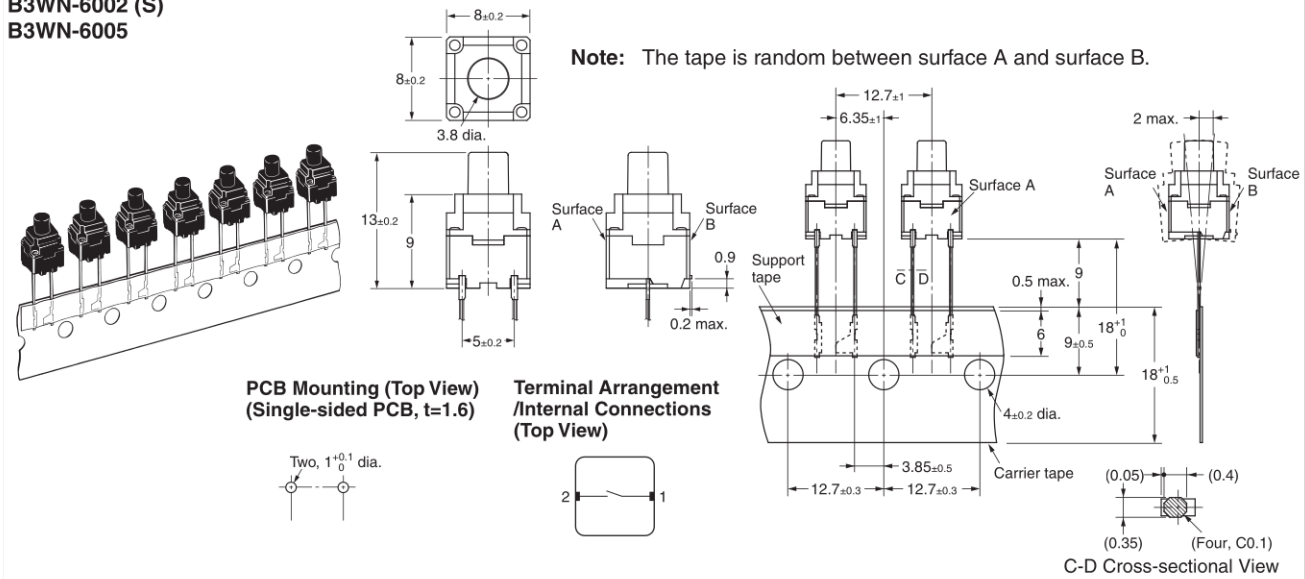


■ Dimensions (Unit: mm)

Note: The numbers used for terminals in the following graphics are indicated in the "Bottom View" diagram below. In this diagram, the Switch is rotated so that the terminals are on the right and left-hand sides, and the OMRON logo appears the right way up.



B3WN-6002 (S)
B3WN-6005



Note: Unless otherwise specified, a tolerance of ±0.4 mm applies to all dimensions. No terminal numbers are indicated on the Switches.

■ Precautions

Be sure to read the safety precautions common to all Tactile Switches on pages for correct use.

- Application examples provided in this document are for reference only. In actual applications, confirm equipment functions and safety before using the product.
- Consult your OMRON representative before using the product under conditions which are not described in the manual or applying the product to nuclear control systems, railroad systems, aviation systems, vehicles, combustion systems, medical equipment, amusement machines, safety equipment, and other systems or equipment that may have a serious influence on lives and property if used improperly. Make sure that the ratings and performance characteristics of the product provide a margin of safety for the system or equipment, and be sure to provide the system or equipment with double safety mechanisms.

Note: Do not use this document to operate the Unit.

OMRON Corporation
ELECTRONIC AND MECHANICAL COMPONENTS COMPANY

Contact: www.omron.com/ecb

Cat. No. A112-E1-04
0812(0207)(O)