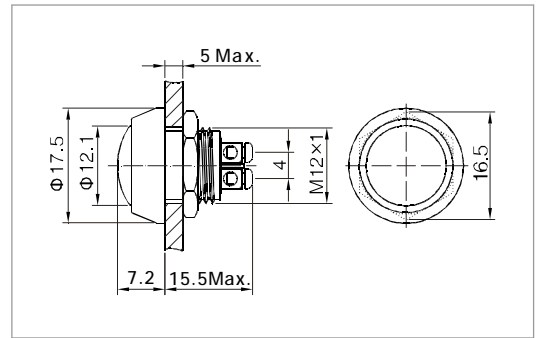


Colorized push button



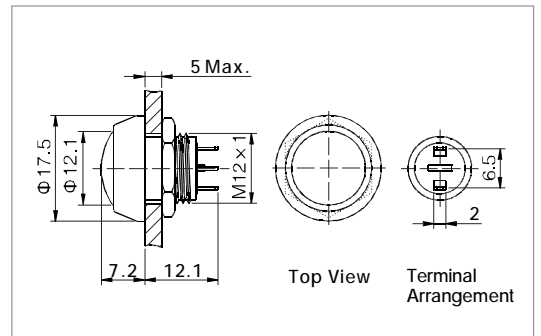
- ⊙ Φ 12mm Diameter
- ⊙ Switch Rating: 2A/36VDC
- ⊙ Contact Configuration: 1NO
- ⊙ Operation Type: Momentary
- ⊙ The Crust Material: Zn-Al Alloy
- ⊙ Material of actuator: PBT
- ⊙ Head Color: **R G Y O B W N**
- ⊙ IP Degree: IP65, IK08



Colorized push button



- ⊙ Φ 12mm Diameter
- ⊙ Switch Rating: 2A/36VDC
- ⊙ Contact Configuration: 1NO
- ⊙ Operation Type: Momentary
- ⊙ The Crust Material: Zn-Al Alloy
- ⊙ Material of Actuator: PBT
- ⊙ Head Color: **R G Y O B W N**
- ⊙ IP Degree: IP65, IK08



Specification	GQ12B-10/Δ/A	GQ12B-10/J/Δ/A
Terminal Type	Screw Terminal	Pin Terminal(2×0.5mm)
Switching	X(double-break slow-motion contact)	X(double-break slow-motion contact)
Max. Switch Rating	2A/36VDC	2A/36VDC
Contact Resistance	≤50mΩ	≤50mΩ
Insulation Resistance	≥1000MΩ	≥1000MΩ
Dielectric Intensity	2000VAC	2000VAC
Operating Temp	-20°C ~ +55°C	-20°C ~ +55°C
Mechanical Life	1,000,000 cycles	1,000,000 cycles
Electrical Life	200,000 cycles	200,000 cycles
Panel Thickness	1 ~ 5mm	1 ~ 5mm
Torque	5 ~ 14Nm	5 ~ 14Nm
Operation Pressure	About 5N	About 5N
Operation Travel	About 2.5mm	About 2.5mm
IP Degree	IP65, IK08	IP65, IK08
Material	Contact	Sliver Alloy
	Button	PBT
	Body	Zn-Al Alloy
	Base	PBT
	RoHS	Made to order
Head Color	R G Y O B W N	R G Y O B W N