

## ENHANCED COMPUTER CONTROLLED TELETEXT CIRCUITS (ECCT)

### GENERAL DESCRIPTION

The SAA5243 series are MOS N-channel integrated circuits which perform all the digital logic functions of a 625-line World System Teletext decoder. The SAA5243 series operate in conjunction with the teletext video processor SAA5231, standard static RAMs and are controlled via the 2-wire I<sup>2</sup>C-bus. The devices can be used to provide videotex display conforming to a serial character attribute protocol.

### Features

- Microcomputer controlled for flexibility
- High quality flicker-free display using a 12 x 10 character matrix
- Field flyback (lines 2 to 22), or full channel (all lines) data acquisition
- Up to four simultaneous page requests enabling acquisition during one magazine cycle
- Direct interface up to 8 K bytes static RAM
- Automatic language section of up to seven different languages
- 25th display row for software generated status messages
- Cursor control for videotex/teletext software
- 7-bits parity or 8-bit data acquisition
- Extension packet reception option
- Standard I<sup>2</sup>C-bus slave transceiver (slave address 0010001)
- Single 5 volt power supply
- Mask programmable character sets
- Slave sync mode operation
- Odd/even field output for de-interlaced displays

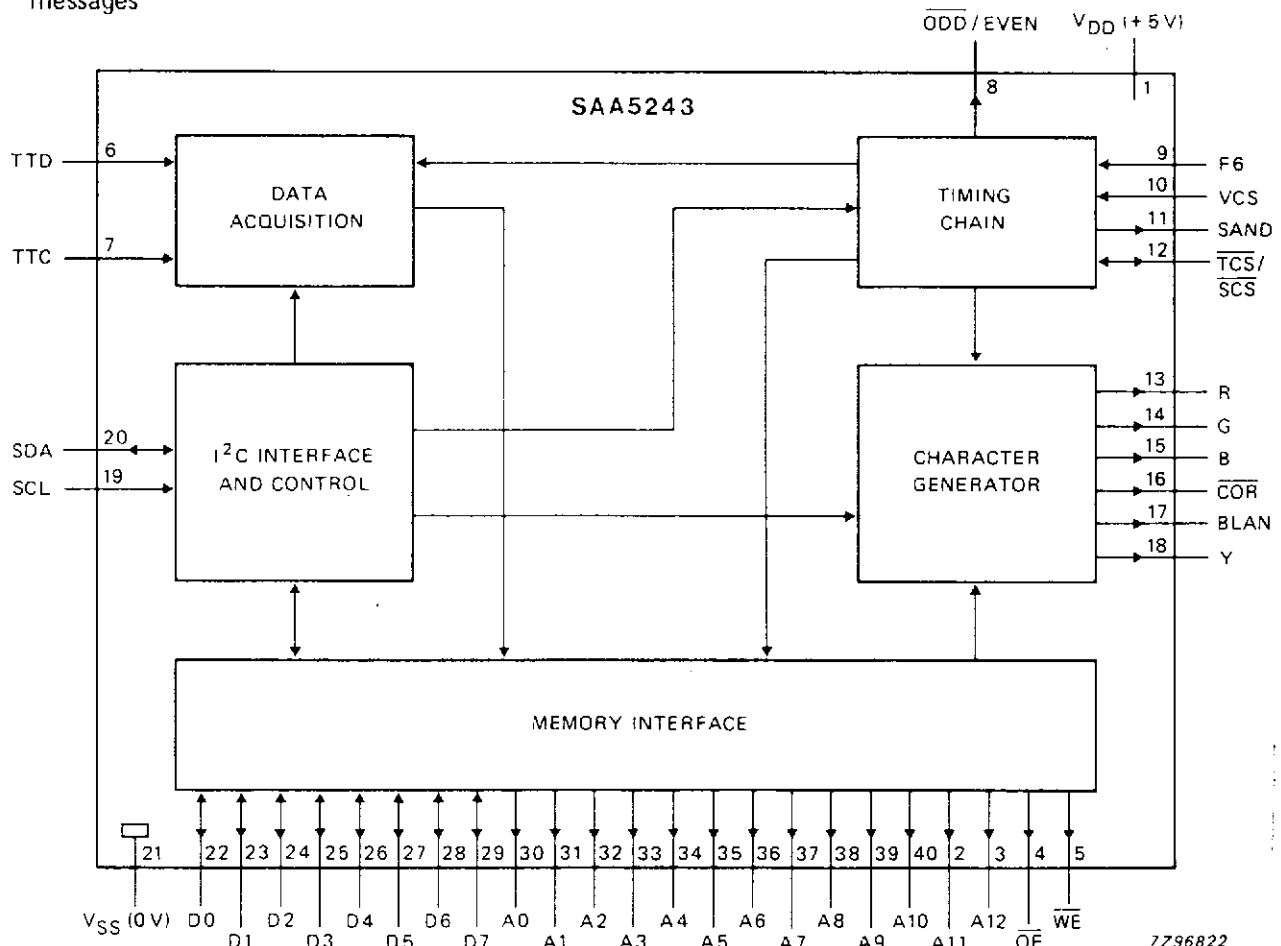


Fig.1 Block diagram.

PACKAGE OUTLINE 40-lead DIL; plastic (SOT129).

ORDERING INFORMATION

type number	version
SAA5243P/E/M2	West European languages
SAA5243P/H	East European languages
SAA5243P/K	Arabic and English languages
SAA5243P/L	Arabic and Hebrew languages
SAA5243P/T	West European and Turkish languages

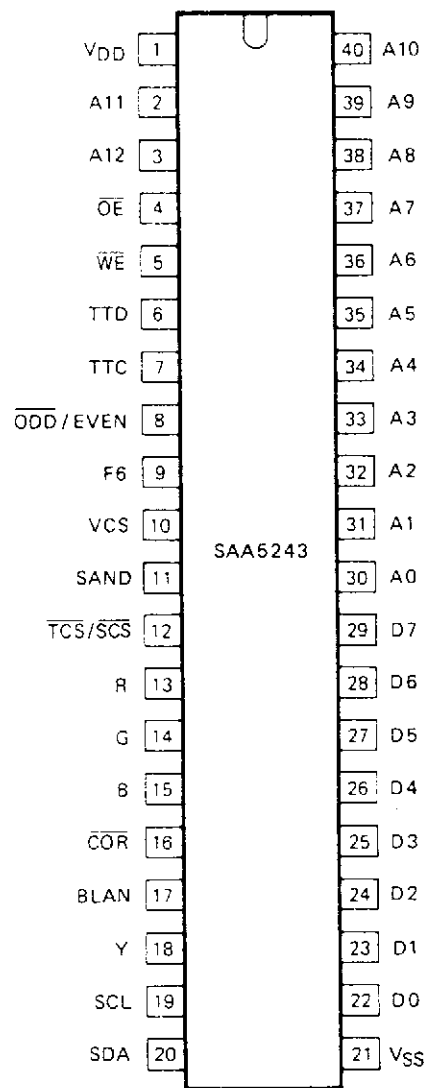


Fig.2 Pinning diagram.

7296824

PINNING

- 1 V<sub>DD</sub>
- 2, 3, 40 A11, A12, A10
- 4 OE

**Power supply:** + 5 V power supply pin.

**Chapter Address:** three outputs that select which 1 K byte chapter of external RAM is being accessed for any read or write cycle.

**Output Enable:** active low output signal used to control the reading of the external RAM. It occurs continuously at a 1 MHz rate.

5	$\overline{WE}$	<b>Write Enable:</b> active low output signal used to control the writing of data to the external RAM. It occurs for a valid write cycle only and is interleaved with the read cycles.
6	TTD	<b>Teletext Data:</b> input from the SAA5231 Video Input Processor (VIP2). It is clamped to $V_{SS}$ for 4 to 8 $\mu s$ of each television line to maintain the correct DC level following the external AC coupling.
7	TTC	<b>Teletext Clock:</b> 6.9375 MHz clock input from the SAA5231. It is internally AC coupled to an active clamp input buffer.
8	$\overline{ODD/EVEN}$	<b>Odd/Even:</b> for interlaced mode, the output changes once per field at 2 $\mu s$ before the end of line 311 (624). The output is high for even fields and low for odd fields.
9	F6	<b>Character display clock:</b> 6 MHz clock input from the SAA5231. It is internally AC coupled to an active clamp input buffer.
10	VCS	<b>Video Composite Sync:</b> input from the SAA5231 derived from the incoming video signal. Sync pulses are active high.
11	SAND	<b>Sandcastle:</b> 3-level sandcastle output to the SAA5231 containing the phase locking and colour burst blanking information.
12	$\overline{TCS/SCS}$	<b>Text Composite Sync/Scan Composite Sync:</b> as an output an active low composite sync waveform (TCS) with interlaced or non-interlaced format (see Fig.6) which is fed to the SAA5231 to drive the display timebases. Alternatively this pin can act as an input for an active low composite sync waveform (SCS) to 'slave' the display timing circuits.
13, 14, 15	R, G, B	<b>Red, Green, Blue:</b> these 3 open drain outputs are the character video signals to the television display circuits. They are active high and contain character and background information.
16	$\overline{COR}$	<b>Contrast Reduction:</b> open drain, active low output which allows selective contrast reduction of the television picture to enhance a mixed mode display.
17	BLAN	<b>Blanking:</b> open drain, active high output which controls the blanking of the television picture for a normal text display and for a mixed display.
18	Y	<b>Character foreground:</b> open drain, active high video output signal containing all the foreground information displayed on the television screen (e.g. for driving a display printer).
19	SCL	<b>Serial Clock:</b> input signal which is the I <sup>2</sup> C-bus clock from the microcontroller.
20	SDA	<b>Serial Data:</b> is the I <sup>2</sup> C-bus data line. It is an input/output function with an open drain output.
21	$V_{SS}$	<b>Ground:</b> 0 volts.
22-29	DO-D7	<b>8 RAM data lines:</b> 3-state input/output pins which carry the data bytes to and from the external RAM.
30-39	A0-A9	<b>RAM address:</b> 10 output signals that determine which byte location within a 1 K byte chapter of external RAM is accessed for any read or write cycle.

## RATINGS

Limiting values in accordance with the Absolute Maximum System (IEC 134)

parameter	conditions	symbol	min.	max.	unit
Supply voltage range	pin 1	V <sub>DD</sub>	-0.3	7.5	V
Input voltage range VCS, SDA, SCL, D0-D7		V <sub>I</sub>	-0.3	7.5	V
TTC, TTD, F6, $\overline{\text{TCS/SCS}}$		V <sub>I</sub>	-0.3	10.0	V
Output voltage range SAND, A0-A12, $\overline{\text{OE}}$ , $\overline{\text{WE}}$ , D0-D7, SDA, $\overline{\text{ODD/EVEN}}$ , R, G, B, BLAN, $\overline{\text{COR}}$ , Y		V <sub>O</sub>	-0.3	7.5	V
$\overline{\text{TCS/SCS}}$		V <sub>O</sub>	-0.3	10.0	V
Storage temperature range		T <sub>stg</sub>	-20	+125	°C
Operating ambient temperature range		T <sub>amb</sub>	-20	+70	°C

## CHARACTERISTICS

 $V_{DD} = 5\text{ V} \pm 10\%$ ;  $V_{SS} = 0\text{ V}$ ;  $T_{amb} = -20\text{ to } +70\text{ }^{\circ}\text{C}$  unless otherwise specified

parameter	symbol	min.	typ.	max.	unit
<b>SUPPLY</b>					
Supply voltage (pin 1)	$V_{DD}$	4.5	5.0	5.5	V
Supply current (pin 1)	$I_{DD}$	—	160	270	mA
<b>INPUTS (note 1)</b>					
<b>TTD (note 2)</b>					
External coupling capacitor	$C_{ext}$	—	—	50	nF
Input voltage (peak-to-peak value)	$V_{I(p-p)}$	2.0	—	7.0	V
Input data rise and fall times (note 3)	$t_r, t_f$	10	—	80	ns
Input data set-up time (note 4)	$t_{DS}$	40	—	—	ns
Input data hold time (note 4)	$t_{DH}$	40	—	—	ns
Input leakage current at $V_I = 0\text{ to }10\text{ V}$	$I_{LI}$	—	—	20	$\mu\text{A}$
Input capacitance	$C_I$	—	—	7	pF
<b>TTC; F6 (note 5)</b>					
DC input voltage range	$V_I$	-0.3	—	+10.0	V
AC input voltage (peak-to-peak value) F6	$V_{I(p-p)}$	1.0	—	7.0	V
AC input voltage (peak-to-peak value) TTC	$V_{I(p-p)}$	1.5	—	7.0	V
Input peaks relative to 50% duty cycle	$\pm V_p$	0.2	—	3.5	V
TTC clock frequency	$f_{TTC}$	—	6.9375	—	MHz
F6 clock frequency	$f_{F6}$	—	6.0	—	MHz
Clock rise and fall times (note 3)	$t_r, t_f$	10	—	80	ns
Input leakage current at $V_I = 0\text{ to }10\text{ V}$	$I_{LI}$	—	—	20	$\mu\text{A}$
Input capacitance	$C_I$	—	—	7	pF
<b>VCS</b>					
Input voltage LOW	$V_{IL}$	0	—	0.8	V
Input voltage HIGH	$V_{IH}$	2.0	—	$V_{DD}$	V
Input rise and fall times (note 3)	$t_r, t_f$	—	—	500	ns
Input leakage current at $V_I = 5.5\text{ V}$	$I_{LI}$	—	—	10	$\mu\text{A}$
Input capacitance	$C_I$	—	—	7	pF

## CHARACTERISTICS (continued)

parameter	symbol	min.	typ.	max.	unit
<b>SCL</b>					
Input voltage LOW	$V_{IL}$	0	—	1.5	V
Input voltage HIGH	$V_{IH}$	3.0	—	$V_{DD}$	V
SCL clock frequency	$f_{SCL}$	0	—	100	kHz
Input rise and fall times (note 3)	$t_r, t_f$	—	—	2	$\mu s$
Input leakage current at $V_I = 5.5$ V	$I_{LI}$	—	—	10	$\mu A$
Input capacitance	$C_I$	—	—	7	pF
<b>INPUT/OUTPUTS (note 6)</b>					
<b><math>\overline{TCS}</math> (output)/<math>\overline{SCS}</math> (input)</b>					
Input voltage LOW	$V_{IL}$	0	—	1.5	V
Input voltage HIGH	$V_{IH}$	3.5	—	10.0	V
Input rise and fall times (note 3)	$t_r, t_f$	—	—	500	ns
Input leakage current at $V_I = 0$ to 10 V and output in high impedance state	$\pm I_{LI}$	—	—	10	$\mu A$
Input capacitance	$C_I$	—	—	7	pF
Output voltage LOW at $I_{OL} = 0.4$ mA	$V_{OL}$	0	—	0.4	V
Output voltage HIGH at $-I_{OH} = 0.2$ mA at $I_{OH} = 0.1$ mA	$V_{OH}$ $V_{OH}$	2.4 2.4	— —	$V_{DD}$ 6.0	V V
Output rise and fall times between 0.6 V and 2.2 V levels	$t_r, t_f$	—	—	100	ns
Load capacitance	$C_L$	—	—	50	pF
<b>SDA (note 7)</b>					
Input voltage LOW	$V_{IL}$	0	—	1.5	V
Input voltage HIGH	$V_{IH}$	3.0	—	$V_{DD}$	V
Input rise and fall times (note 3)	$t_r, t_f$	—	—	2	$\mu s$
Input leakage current at $V_I = 5.5$ V with output off	$I_{LI}$	—	—	10	$\mu A$
Input capacitance	$C_I$	—	—	7	pF
Output voltage LOW at $I_{OL} = 3$ mA	$V_{OL}$	0	—	0.5	V
Output fall time between 3.0 V and 1.0 V levels	$t_f$	—	—	200	ns
Load capacitance	$C_L$	—	—	400	pF

parameter	symbol	min.	typ.	max.	unit
<b>INPUT/OUTPUTS (continued)</b>					
<b>D0-D7 (note 8)</b>					
Input voltage LOW	$V_{IL}$	0	—	0.8	V
Input voltage HIGH	$V_{IH}$	2.0	—	$V_{DD}$	V
Input leakage current at $V_I = 0$ V to 5.5 V and output in high impedance state	$\pm I_{LI}$	—	—	10	$\mu$ A
Input capacitance	$C_I$	—	—	7	pF
Output voltage LOW at $I_{OL} = 1.6$ mA	$V_{OL}$	0	—	0.4	V
Output voltage HIGH at $-I_{OH} = 0.2$ mA	$V_{OH}$	2.4	—	$V_{DD}$	V
Output rise and fall times between 0.6 V and 2.2 V levels	$t_r, t_f$	—	—	50	ns
Load capacitance	$C_L$	—	—	120	pF
<b>OUTPUTS (note 6)</b>					
<b>A0-A12; <math>\overline{OE}</math>; <math>\overline{WE}</math> (note 8)</b>					
Output voltage LOW at $I_{OL} = 1.6$ mA	$V_{OL}$	0	—	0.4	V
Output voltage HIGH at $-I_{OH} = 0.2$ mA	$V_{OH}$	2.4	—	$V_{DD}$	V
Output rise and fall times between 0.6 V and 2.2 V levels	$t_r, t_f$	—	—	50	ns
Load capacitance	$C_L$	—	—	120	pF
<b><math>\overline{ODD}</math>/EVEN</b>					
Output voltage LOW at $I_{OL} = 0.4$ mA	$V_{OL}$	0	—	0.4	V
Output voltage HIGH at $-I_{OH} = 0.2$ mA	$V_{OH}$	2.4	—	$V_{DD}$	V
Output rise and fall times between 0.6 V and 2.2 V levels	$t_r, t_f$	—	—	100	ns
Load capacitance	$C_L$	—	—	50	pF
<b>SAND (note 9)</b>					
Output voltage LOW at $I_{OL} = 0.2$ mA	$V_{OL}$	0	—	0.25	V
Output voltage INTERMEDIATE at $I_{OL} = \pm 10$ $\mu$ A	$V_{OI}$	1.1	—	3.1	V

## CHARACTERISTICS (continued)

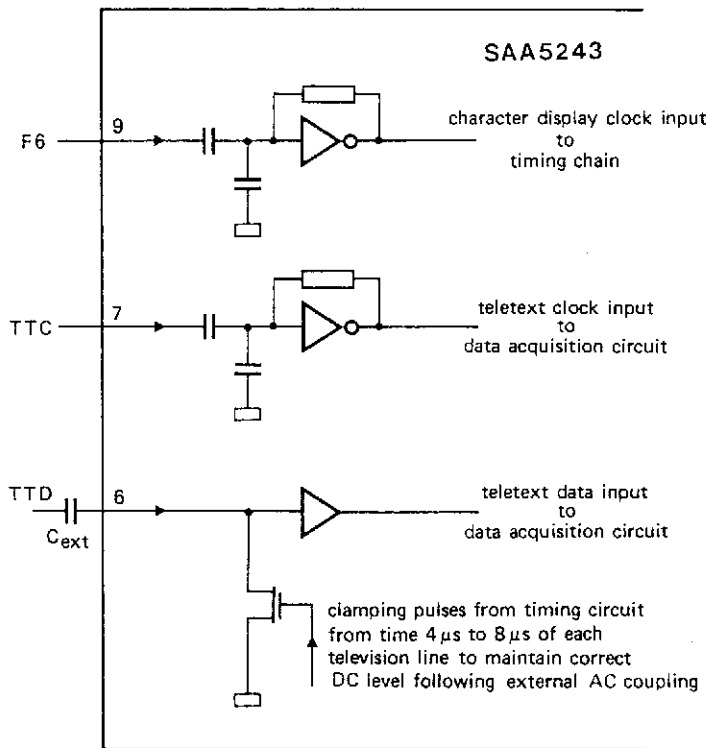
parameter	symbol	min.	typ.	max.	unit
<b>SAND (continued)</b>					
Output voltage HIGH at $I_{OH} = 0$ to $-10 \mu\text{A}$	$V_{OH}$	4.0	—	$V_{DD}$	V
Output rise time $V_{OL}$ to $V_{OI}$ between 0.4 V and 0.9 V levels	$t_{r1}$	—	—	400	ns
Output rise time $V_{OI}$ to $V_{OH}$ between 3.3 V and 3.8 V levels	$t_{r2}$	—	—	200	ns
Output fall time $V_{OH}$ to $V_{OL}$ between 3.8 V and 0.4 V levels	$t_f$	—	—	50	ns
Load capacitance	$C_L$	—	—	30	pF
<b>R; G; B; <math>\overline{COR}</math>; BLAN; Y (note 10)</b>					
Output voltage LOW at $I_{OL} = 2$ mA	$V_{OL}$	0	—	0.4	V
Output voltage LOW at $I_{OL} = 5$ mA	$V_{OL}$	0	—	1.0	V
Pull-up voltage as seen at pin	$V_{PU}$	—	—	6.0	V
Output fall time with a load resistor of $1.2 \text{ k}\Omega$ to 6 V and measured between 5.5 V and 1.5 V	$t_f$	—	—	20	ns
Skew delay between outputs with a load resistor of $1.2 \text{ k}\Omega$ to 6 V and measured on the falling edges at 3.5 V	$t_{SK}$	—	—	20	ns
Load capacitance	$C_L$	—	—	25	pF
Output leakage current at $V_{PU} = 0$ to 6 V with output off	$I_{LO}$	—	—	10	$\mu\text{A}$
<b>TIMING</b>					
<b>I<sup>2</sup>C-bus (note 11)</b>					
Clock low period	$t_{LOW}$	4	—	—	$\mu\text{s}$
Clock high period	$t_{HIGH}$	4	—	—	$\mu\text{s}$
Data set-up time	$t_{SU}; \text{DAT}$	250	—	—	ns
Data hold time	$t_{HD}; \text{DAT}$	170	—	—	ns
Stop set-up time from clock high	$t_{SU}; \text{STO}$	4	—	—	$\mu\text{s}$
Start set-up time following a stop	$t_{BUF}$	4	—	—	$\mu\text{s}$
Start hold time	$t_{HD}; \text{STA}$	4	—	—	$\mu\text{s}$
Start set-up time following clock low-to-high transition	$t_{SU}; \text{STA}$	4	—	—	$\mu\text{s}$



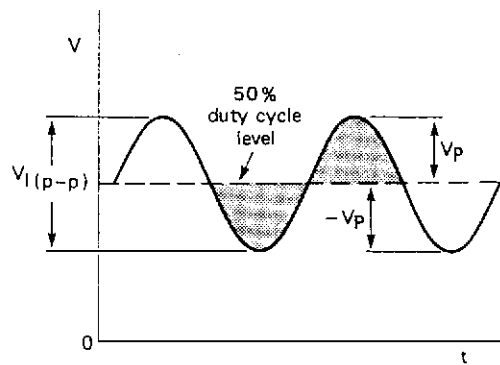
parameter	symbol	min.	typ.	max.	unit
<b>TIMING (continued)</b>					
<b>Memory interface (note 12)</b>					
Cycle time	$t_{CY}$	—	500	—	ns
Address change to $\overline{OE}$ LOW	$t_{OE}$	60	—	—	ns
Address active time	$t_{ADDR}$	450	500	—	ns
$\overline{OE}$ pulse duration	$t_{OEW}$	320	—	—	ns
Access time from $\overline{OE}$ to data valid	$t_{ACC}$	—	—	200	ns
Data hold time from $\overline{OE}$ HIGH or address change	$t_{DH}$	0	—	—	ns
Address change to $\overline{WE}$ LOW	$t_{WE}$	40	—	—	ns
$\overline{WE}$ pulse duration	$t_{WEW}$	200	—	—	ns
Data set-up time to $\overline{WE}$ HIGH	$t_{DS}$	100	—	—	ns
Data hold time from $\overline{WE}$ HIGH	$t_{DHWE}$	20	—	—	ns
Write recovery time	$t_{WR}$	25	—	—	ns

#### Notes to the characteristics

1. All inputs are protected against static charge under normal handling.
2. The TTD input incorporates an internal clamping diode in addition to the active clamping transistor (see Fig.3).
3. Rise and fall times between 10% and 90% levels.
4. Teletext input data set-up and hold times are with respect to a 50% duty cycle level of the rising edge of the teletext clock input (TTC). Data stable 1  $\geq$  2.0 V; data stable 0  $\leq$  0.8 V (see Fig.4).
5. The TTC and F6 inputs have internal clamping diodes and are AC coupled (see Fig.3).
6. All outputs and input/outputs are protected against static charge under normal handling and connection to  $V_{DD}$  and  $V_{SS}$ .
7. For details of I<sup>2</sup>C-bus timing see Fig.8.
8. For details of RAM timing see Fig.9.
9. For details of synchronization timing see Fig.5.
10. For details of display output timing see Fig.7.
11. The I<sup>2</sup>C-bus timings are referred to  $V_{IH} = 3$  V and  $V_{IL} = 1.5$  V. For waveforms see Fig.8.
12. The memory interface timings are referred to  $V_{IL} = 1.5$  V. For waveforms see Fig.9.



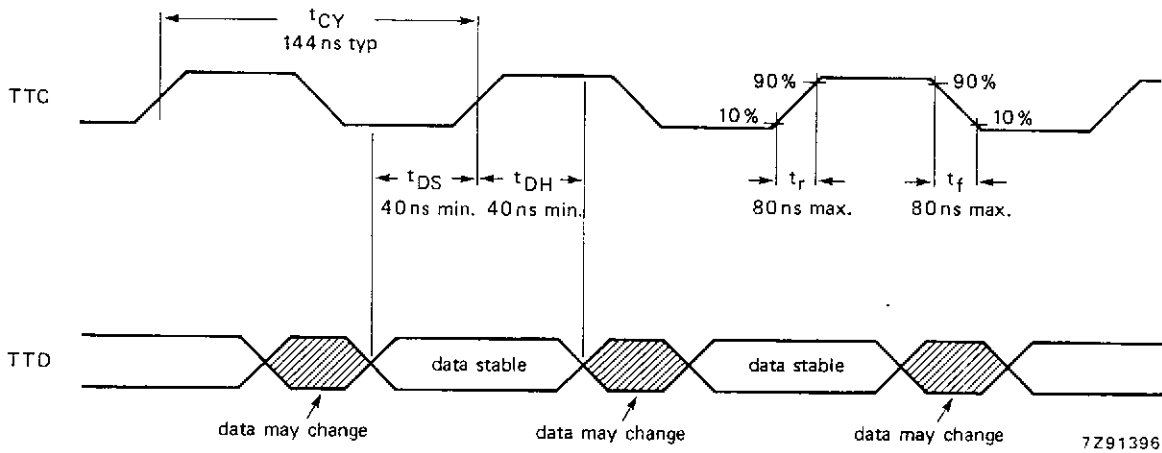
(a)



(b)

Fig.3 (a) F6, TTC and TTD input circuitry (b) input waveform parameters.

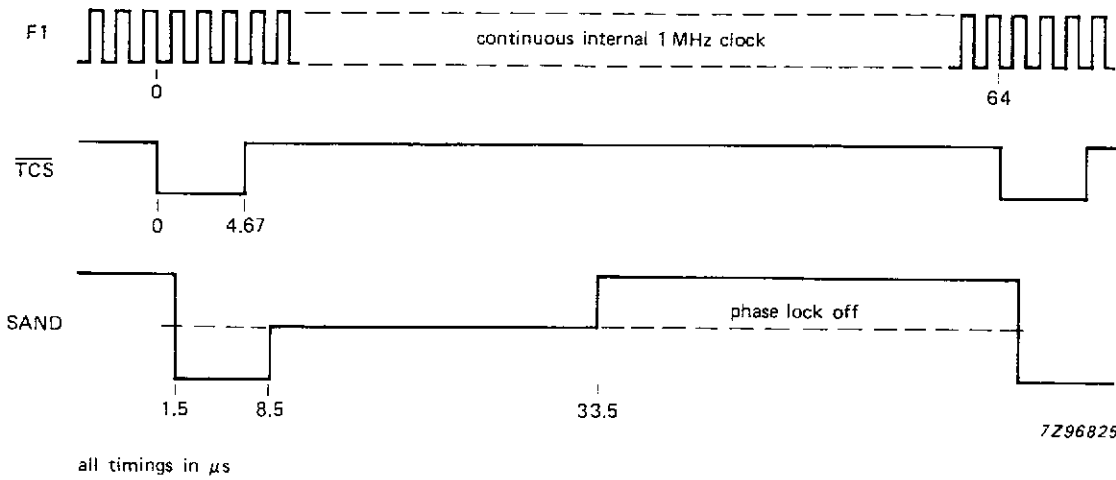
7291395.P



7291396

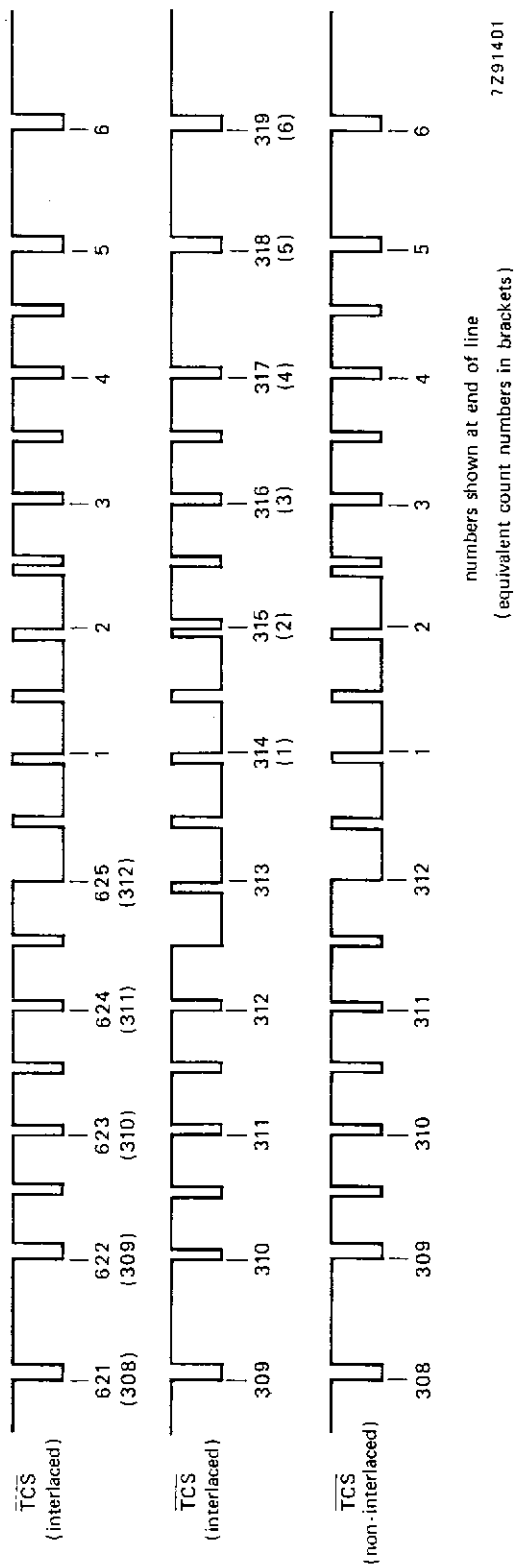
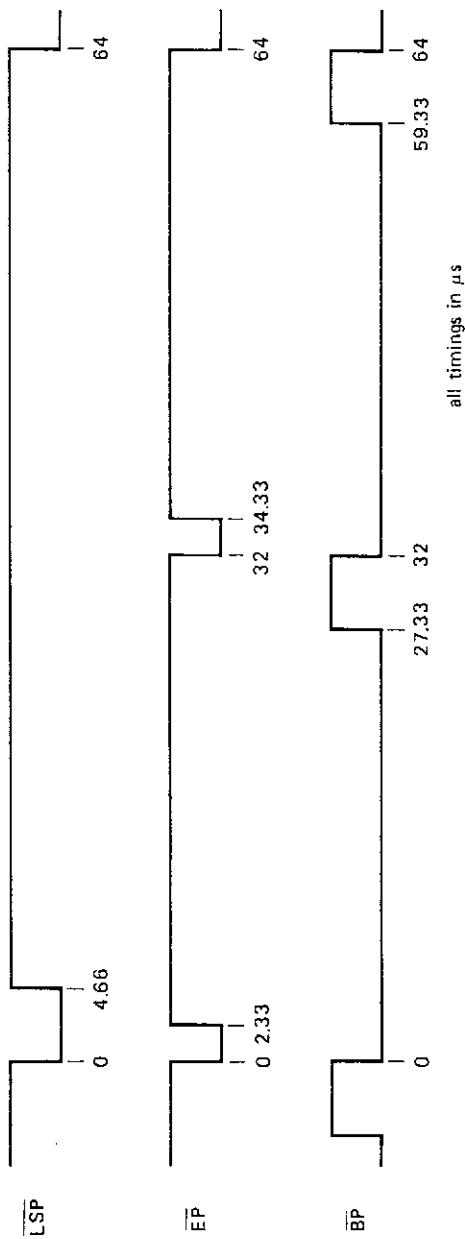
Data stable: 1 is  $\geq 2.0 \text{ V}$ ; 0 is  $\leq 0.8 \text{ V}$ .

Fig.4 Teletext data input timing.



7296825

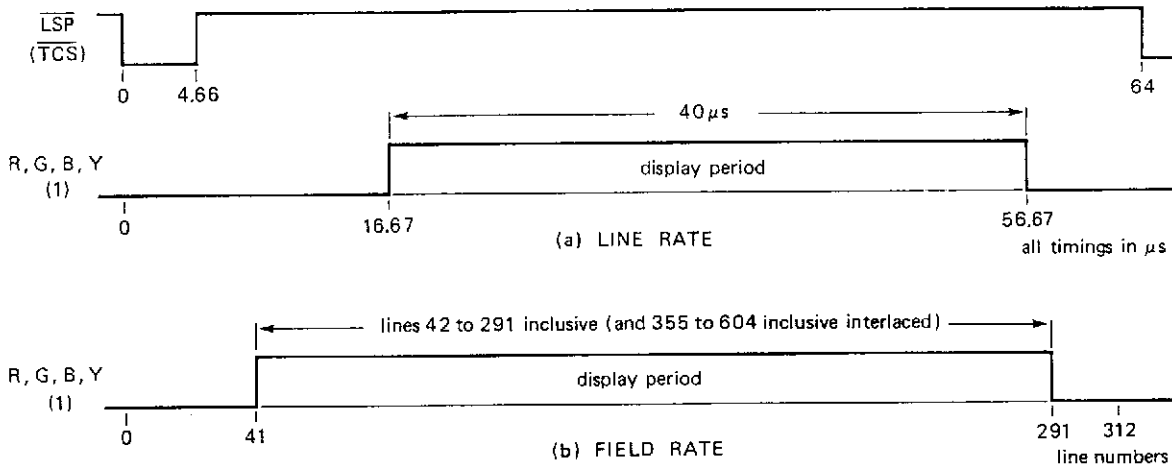
Fig.5 Synchronization timing.



7Z91401

Line sync pulses ( $\overline{LSP}$ ), equalizing pulses ( $\overline{EP}$ ) and broad pulses ( $\overline{BP}$ ) are combined to provide the text composite sync waveform ( $\overline{TCS}$ ) as shown. All timings measured from falling edge of  $\overline{LSP}$  with a tolerance of  $\pm 100$  ns.

Fig.6 Composite sync waveforms.



(1) also BLAN in character and box blanking

7291398

Fig.7 Display output timing (a) line rate (b) field rate.

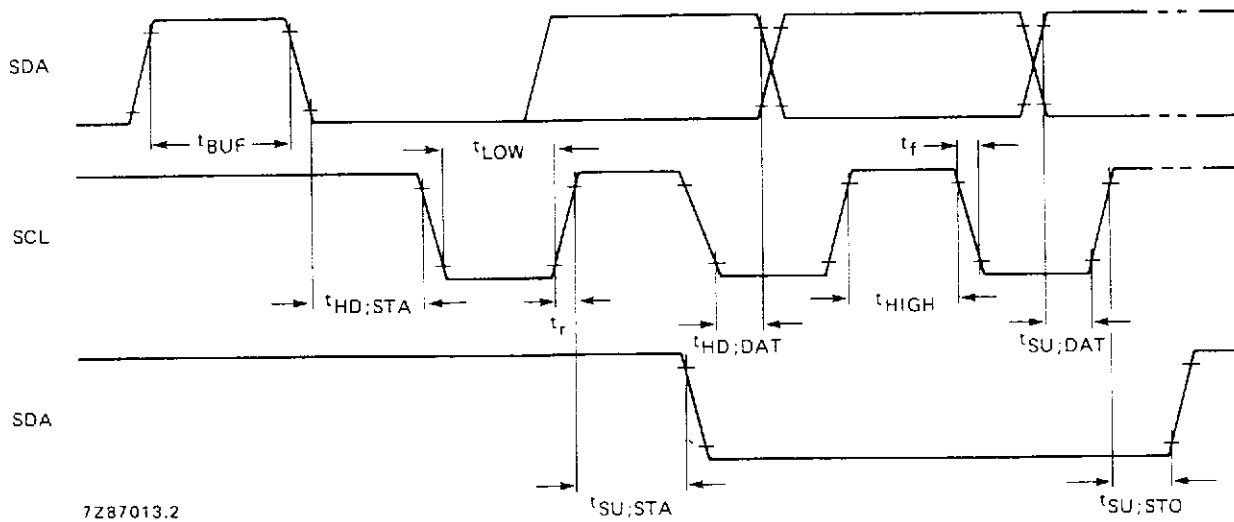
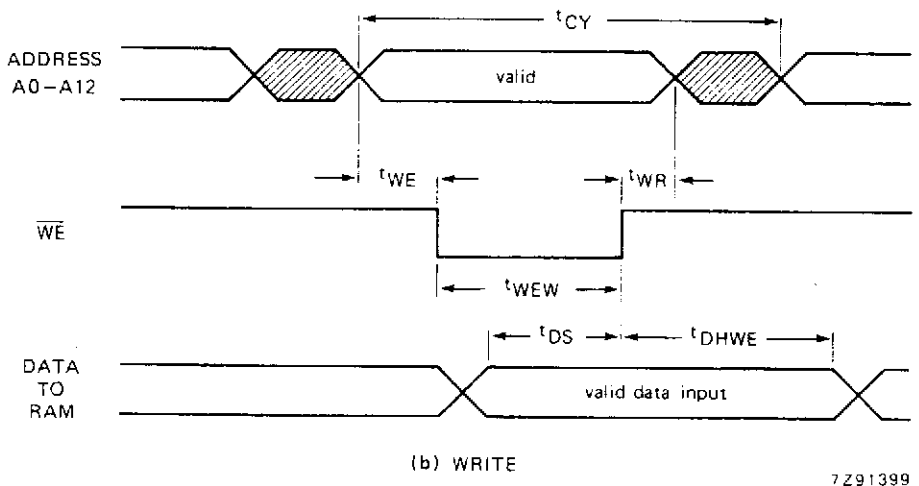
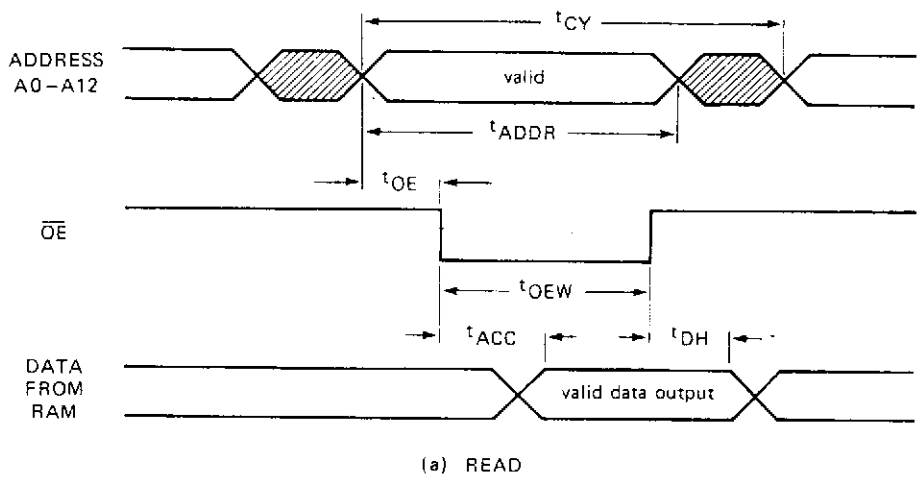


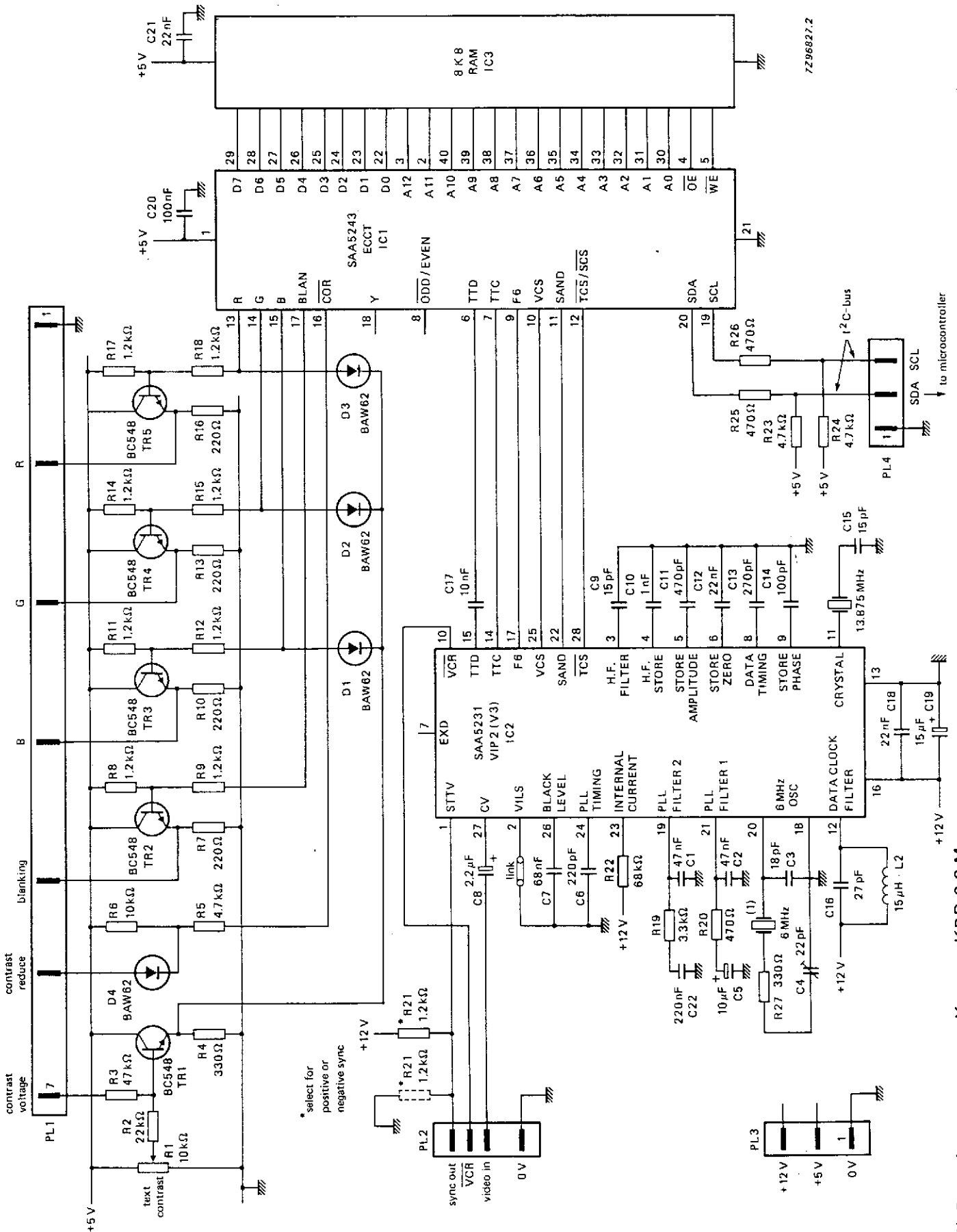
Fig.8 I<sup>2</sup>C-bus timing.



7291399

Fig.9 Memory interface timing (a) read (b) write.

APPLICATION INFORMATION



(1) Ceramic resonator e.g. Kyocera KBR 6.0 M.

Fig. 10 ECCT based multi-page decoder circuit diagram.

APPLICATION INFORMATION (continued)

ECCT page memory organization

The organization of a page memory is shown in Fig.11. The ECCT provides an additional row compared with first generation decoders bringing the display format up to 40 characters by 25 rows. Rows 0 to 23 form the teletext page as broadcast and row 24 is the extra row available for user-generated status messages.

A MORE DETAILED DESCRIPTION OF ECCT OPERATION AND APPLICATION IS AVAILABLE ON REQUEST.

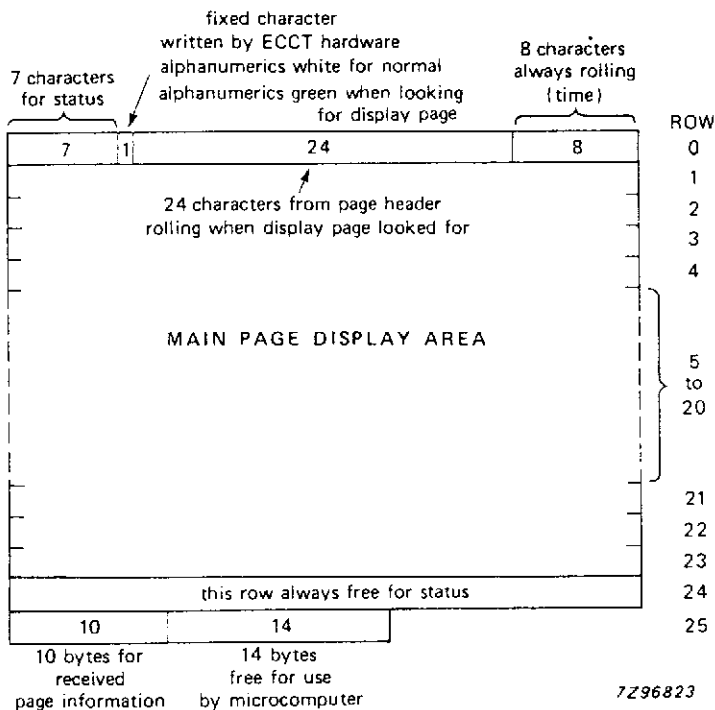


Fig.11 Page memory organization.

Table 1 Row 25 received control data format

D0	PU0	PT0	MU0	MT0	HU0	HT0	C7	C11	MAG0	0
D1	PU1	PT1	MU1	MT1	HU1	HT1	C8	C12	MAG1	0
D2	PU2	PT2	MU2	MT2	HU2	C5	C9	C13	MAG2	0
D3	PU3	PT3	MU3	C4	HU3	C6	C10	C14	0	0
D4	HAM.ER	HAM.ER	HAM.ER	HAM.ER	HAM.ER	HAM.ER	HAM.ER	HAM.ER	FOUND	0
D5	0	0	0	0	0	0	0	0	0	PBLF
D6	0	0	0	0	0	0	0	0	0	0
D7	0	0	0	0	0	0	0	0	0	0

Column 0 1 2 3 4 5 6 7 8 9

Where:

- MAG magazine
  - PU page units
  - PT page tens
  - PBLF page being looked for
  - FOUND LOW for page has been found
  - HAM.ER Hamming error in corresponding byte
  - MU minutes units
  - MT minutes tens
  - HU hours units
  - HT hours tens
  - C4-C14 transmitted control bits
- page number (grouped with PU, PT)  
page sub-code (grouped with MU, MT, HU, HT)



*Row 0*

Row 0 is for the page header. The first seven columns (0 to 6) are free for status messages. The eighth is an alphanumeric white or green control character, written automatically by ECCT to give a green rolling header when a page is being looked for. The last eight characters are for rolling time.

*Row 25*

The first 10 bytes of row 25 contain control data relating to the received page. Seven digits are used to identify a page as shown in Table 1. The remaining 14 bytes are free for use by the microcomputer.

**Register maps**

ECCT mode registers R1 to R11 are shown in Table 2. R1 to R10 are WRITE only; R11 is READ/WRITE.

Register map (R3), for page requests, is shown in detail in Table 3.

**Table 2** ECCT register map

D7	D6	D5	D4	D3	D2	D1	D0	
TA	$\overline{7+P}$ / 8 BIT	ACQ. $\overline{\text{ON/OFF}}$	EXTENSION PACKET ENABLE	$\overline{\text{DEW}}$ / FULL FIELD	TCS ON	T1	T0	R1 Mode
—	BANK SELECT A2	ACQ. CCT A1	ACQ. CCT A0	TB	START COLUMN SC2	START COLUMN SC1	START COLUMN SC0	R2 Page request address
—	—	—	PRD4	PRD3	PRD2	PRD1	PRD0	R3 Page request data
—	—	—	—	—	A2	A1	A0	R4 Display chapter
BKGND OUT	BKGND IN	COR OUT	COR IN	TEXT OUT	TEXT IN	PON OUT	PON IN	R5 Display control (normal)
BKGND OUT	BKGND IN	COR OUT	COR IN	TEXT OUT	TEXT IN	PON OUT	PON IN	R6 Display control (newsflash/subtitle)
STATUS ROW BTM/TOP	CURSOR ON	$\overline{\text{CONCEAL}}$ / $\overline{\text{REVEAL}}$	$\overline{\text{TOP}}$ / $\overline{\text{BOTTOM}}$	$\overline{\text{SINGLE}}$ / $\overline{\text{DOUBLE}}$ HEIGHT	BOX ON 24	BOX ON 1-23	BOX ON 0	R7 Display mode
—	—	—	—	CLEAR MEM.	A2	A1	A0	R8 Active chapter
—	—	—	R4	R3	R2	R1	R0	R9 Active row
—	—	C5	C4	C3	C2	C1	C0	R10 Active column
D7 (R/W)	D6 (R/W)	D5 (R/W)	D4 (R/W)	D3 (R/W)	D2 (R/W)	D1 (R/W)	D0 (R/W)	R11 Active data

— bit does not exist

**Notes to Table 2**

The arrows shown on the right of the register map indicate that the register auto-increments to the next one on the following I<sup>2</sup>C transmission byte. TA and TB must be logic 0 for normal operation.

All bits in registers R1 to R10 are cleared to logic 0 on power-up except bits D0 and D1 of registers R5 and R6 which are set to logic 1.

All memory is cleared to 'space' (00100000) on power-up, except row 0 column 7 chapter 0, which is 'alpha white' (00000111) as the acquisition circuit is enabled but all pages are on hold.

## APPLICATION INFORMATION (continued)

## Table 2 (continued)

Where:

R1 Mode

T0, T1

TCS ON

DEW/FULL FIELD7 + P/8 BIT

TA, TB

R2 Page request address

START COLUMN

ACQ CCT

BANK SELECT

R3 Page request data

R4 Display chapter

R5, R6 Display control

PON

TEXT

COR

BKGND

These functions have IN and OUT referring to inside and outside the boxing function respectively.

R7 Display mode

BOX ON 0 (1-23, 24)

STATUS ROW BTM/TOP

R8 to R11

interlace/non-interlace 312/313 line control

text composite sync or direct sync select

field-flyback or full channel mode

7 bits with parity checking or 8-bit mode

test bits; 0 for normal operation

start column for page request data

selects one of four acquisition circuits

selects bank of four pages being addressed for acquisition

see Table 3

determines which of the 8 pages is displayed

for normal and newsflash/subtitle

picture on

text on

contrast reduction on

background colour on

boxing function allowed on row 0 (row 1-23, 24)

row 25 displayed above or below the main text

active chapter, row, column and data information written to or read from page memory via the I<sup>2</sup>C-bus.

**Table 3** Register map for page requests (R3)

Start Column	PRD4	PRD3	PRD2	PRD1	PRD0
0	Do care Magazine	$\overline{\text{HOLD}}$	MAG2	MAG1	MAG0
1	Do care Page tens	PT3	PT2	PT1	PT0
2	Do care Page units	PU3	PU2	PU1	PU0
3	Do care Hours tens	X	X	HT1	HT0
4	Do care Hours units	HU3	HU2	HU1	HU0
5	Do care Minutes tens	X	MT2	MT1	MT0
6	Do care Minutes units	MU3	MU2	MU1	MU0

**Notes to Table 3**

Abbreviations are as for Table 1 except for DO CARE bits.

When the DO CARE bit is set to logic 1 this means the corresponding digit is to be taken into account for page requests. If the DO CARE bit is set to logic 0 the digit is ignored. This allows, for example, 'normal' or 'timed page' selection.

If  $\overline{\text{HOLD}}$  is set LOW, the page is held and not updated.

There are four groups of data shown in Table 3, one for each acquisition circuit (four simultaneous page requests).

Columns auto-increment on successive I<sup>2</sup>C transmission bytes.

APPLICATION INFORMATION (continued)

CHARACTER SETS

Several versions of the ECCT are available, offering a variety of character sets. The full character sets are shown in Tables 4a to 4d.

The world system teletext specification allows the selection of national character sets via the page header transmission bits, C12 to C14. These bits are automatically decoded by the ECCT, the resulting character sets are shown in Tables 6a to 6d. For certain languages, control software processing of the extension packet data may be required for optimum usage of the range of available characters. See Fig. 12 for alphanumeric and graphic options.

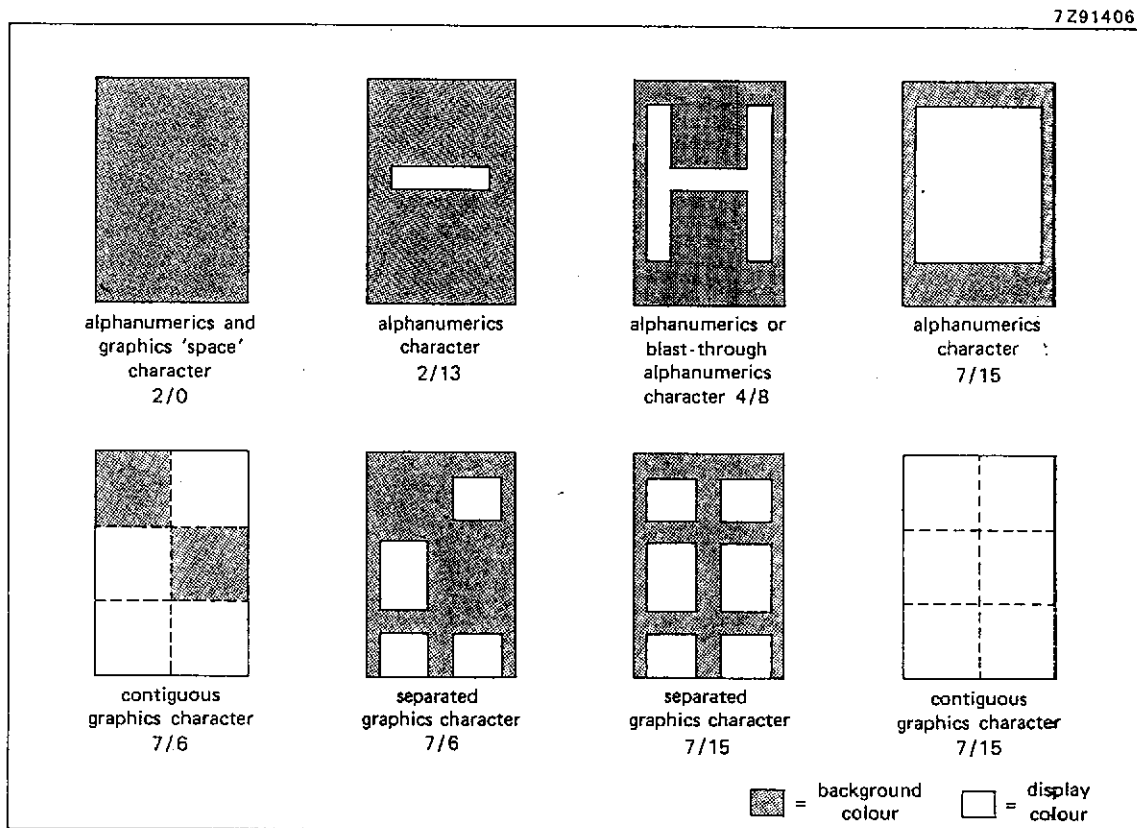


Fig.12 Alphanumeric and graphic options.





Table 4c Character data input decoding, Arabic and English languages (SAA5243P/K)

8 I T S	b <sub>8</sub> b <sub>7</sub> b <sub>6</sub> b <sub>5</sub>	0	0	0 or 1	0	0 or 1	0	0	0	0 or 1	0	0 or 1	1	1	1	1	1	1	
b <sub>4</sub> b <sub>3</sub> b <sub>2</sub> b <sub>1</sub>	column	0	1	2	2a	3	3a	4	5	6	6a	7	7a	8	9	12	13	14	15
0 0 0 0	0	alpha- numerics black	graphics black			0	@	P	—	p	8	·	ا	ب	ت	ث	ج	ح	خ
0 0 0 1	1	alpha- numerics red	graphics red	!	1	A	Q	a	q	ع	ا	ب	ت	ث	ج	ح	خ	د	ذ
0 0 1 0	2	alpha- numerics green	graphics green	”	2	B	R	b	r	ت	ث	ج	ح	خ	د	ذ	ر	ز	س
0 0 1 1	3	alpha- numerics yellow	graphics yellow	£	3	C	S	c	s	ف	ص	ب	س	ك	م	ن	هـ	و	ي
0 1 0 0	4	alpha- numerics blue	graphics blue	\$	4	D	T	d	t	و	ع	ت	ث	ج	ح	خ	د	ذ	ر
0 1 0 1	5	alpha- numerics magenta	graphics magenta	%	5	E	U	e	u	ل	و	ت	ث	ج	ح	خ	د	ذ	ر
0 1 1 0	6	alpha- numerics cyan	graphics cyan	&	6	F	V	f	v	ل	7	ا	ب	ت	ث	ج	ح	خ	د
0 1 1 1	7	alpha- numerics white	graphics white	'	7	G	W	g	w	س	ص	ب	س	ك	م	ن	هـ	و	ي
1 0 0 0	8	flash	conceal display	(	8	H	X	h	x	)	٨	ب	ظ	و	ل	ج	ح	خ	د
1 0 0 1	9	steady**	contiguous graphics	)	9	I	Y	i	y	(	٩	ة	م	س	ل	ج	ح	خ	د
1 0 1 0	10	end box**	separated graphics	*	:	J	Z	j	z	س	ع	ت	ث	ج	ح	خ	د	ذ	ر
1 0 1 1	11	start box**	TWIST	+	;	K	+	k	¼	:	ع	ت	ث	ج	ح	خ	د	ذ	ر
1 1 0 0	12	normal height**	black back- ground	,	<	L	½	l		>	٧	٧	ج	ج	ج	ج	ج	ج	ج
1 1 0 1	13	double height*	new back- ground	-	=	M	+	m	¾	٥	٥	٥	٥	٥	٥	٥	٥	٥	٥
1 1 1 0	14	SO*	hold graphics	.	>	N	↑	n	÷	<	٤	٤	٤	٤	٤	٤	٤	٤	٤
1 1 1 1	15	SI*	release graphics	/	?	O	#	o	■	■	٥	٥	٥	٥	٥	٥	٥	٥	٥

722660 4

\* These control characters are reserved for compatibility with other data codes.  
 \*\* These control characters are presumed before each row begins.

APPLICATION INFORMATION (continued)

Table 4d Character data input decoding, Arabic and Hebrew languages (SAA5243P/L)

B I T S	b <sub>8</sub> b <sub>7</sub> b <sub>6</sub> b <sub>5</sub>	0	0	0 or 1	0	0 or 1	0	0	0	0 or 1	0	0 or 1	1	1	1	1	1				
		column	0	1	2	2a	3	3a	4	5	6	6a	7	7a	8	9	12	13	14	15	
		row	b <sub>4</sub>	b <sub>3</sub>	b <sub>2</sub>	b <sub>1</sub>															
0	0 0 0 0	0	alpha- numerics black	graphics black			0	@	P	N	J				ع	•	ا	ل	ا	ا	ا
0	0 0 0 1	1	alpha- numerics red	graphics red	!		1	A	Q	I					ع	ا	ا	ا	ا	ا	ا
0	0 0 1 0	2	alpha- numerics green	graphics green	"		2	B	R	ا					ا	ا	ا	ا	ا	ا	ا
0	0 0 1 1	3	alpha- numerics yellow	graphics yellow	£		3	C	S	T					ا	ا	ا	ا	ا	ا	ا
0	0 1 0 0	4	alpha- numerics blue	graphics blue	\$		4	D	T	ا					ا	ا	ا	ا	ا	ا	ا
0	0 1 0 1	5	alpha- numerics magenta	graphics magenta	%		5	E	U	ا					ا	ا	ا	ا	ا	ا	ا
0	0 1 1 0	6	alpha- numerics cyan	graphics cyan	&		6	F	V	ا					ا	ا	ا	ا	ا	ا	ا
0	0 1 1 1	7	alpha- numerics white	graphics white	'		7	G	W	ا					ا	ا	ا	ا	ا	ا	ا
1	1 0 0 0	8	flash	conceal display	(		8	H	X	ا					ا	ا	ا	ا	ا	ا	ا
1	1 0 0 1	9	steady	contiguous graphics	)		9	I	Y	ا					ا	ا	ا	ا	ا	ا	ا
1	1 0 1 0	10	end box	separated graphics	*		:	J	Z	ا					ا	ا	ا	ا	ا	ا	ا
1	1 0 1 1	11	start box	TWIST	+		:	K	←	ا					ا	ا	ا	ا	ا	ا	ا
1	1 1 0 0	12	normal height	black back- ground	,		<	L	1/2	ا					ا	ا	ا	ا	ا	ا	ا
1	1 1 0 1	13	double height	new back- ground	-		=	M	→	ا					ا	ا	ا	ا	ا	ا	ا
1	1 1 1 0	14	<u>SO</u>	hold graphics	.		>	N	↑	ا					ا	ا	ا	ا	ا	ا	ا
1	1 1 1 1	15	<u>SI</u>	release graphics	/		?	O	#	ا					ا	ا	ا	ا	ا	ا	ا

722679.4

\* These control characters are reserved for compatibility with other data codes.

\*\* These control characters are presumed before each row begins.



Table 4e Character data input decoding, West European and Turkish languages (SAA5243P/T)

BITS b <sub>8</sub> b <sub>7</sub> b <sub>6</sub> b <sub>5</sub> b <sub>4</sub> b <sub>3</sub> b <sub>2</sub> b <sub>1</sub>	column		0	1	2	2a	3	3a	4	5	6	6a	7	7a	8	9	12	13	14	15	
	row	w	alpha - numerics	graphics																	
0 0 0 0	0	0	alpha - numerics black	graphics black			0	1	S	P	°	µ	¶	⊕	İ	é	à	ı	Á		
0 0 0 1	1	1	alpha - numerics red	graphics red	!	²	1	A	Q	a	q	—	ı	ı	ı	ı	ı	ı	ı	ı	ı
0 0 1 0	2	2	alpha - numerics green	graphics green	”	²	2	B	R	b	r	¼	§	à	à	ü	é				
0 0 1 1	3	3	alpha - numerics yellow	graphics yellow	#	²	3	C	S	c	s	€	ı	ı	ı	ı	ı	ı	ı	ı	ı
0 1 0 0	4	4	alpha - numerics blue	graphics blue	\$	²	4	D	T	d	t	\$	ğ	\$	ı	\$	ı	\$	ı	\$	ı
0 1 0 1	5	5	alpha - numerics magenta	graphics magenta	%	²	5	E	U	e	u	€	ı	ı	ı	ı	ı	ı	ı	ı	ı
0 1 1 0	6	6	alpha - numerics cyan	graphics cyan	&	²	6	F	V	f	v	€	ı	ı	ı	ı	ı	ı	ı	ı	ı
0 1 1 1	7	7	alpha - numerics white	graphics white	'	²	7	G	W	g	w	€	ı	ı	ı	ı	ı	ı	ı	ı	ı
1 0 0 0	8	8	flash	conceal display	(	²	8	H	X	h	x	ı	ı	ı	ı	ı	ı	ı	ı	ı	ı
1 0 0 1	9	9	steady	contiguous graphics	)	²	9	I	Y	i	y	ı	ı	ı	ı	ı	ı	ı	ı	ı	ı
1 0 1 0	10	10	end box	separated graphics	*	²	:	J	Z	j	z	ı	ı	ı	ı	ı	ı	ı	ı	ı	ı
1 0 1 1	11	11	start box	ESC	+	²	:	K	Ä	k	ä	ı	ı	ı	ı	ı	ı	ı	ı	ı	ı
1 1 0 0	12	12	normal height	black back-ground	,	²	<	L	Ö	l	ö	ı	ı	ı	ı	ı	ı	ı	ı	ı	ı
1 1 0 1	13	13	double height	new back-ground	-	²	=	M	Ü	m	ü	ı	ı	ı	ı	ı	ı	ı	ı	ı	ı
1 1 1 0	14	14	SQ	hold graphics	.	²	>	N	^	n	β	ı	ı	ı	ı	ı	ı	ı	ı	ı	ı
1 1 1 1	15	15	SI	release graphics	/	²	?	O	□	o	□	ı	ı	ı	ı	ı	ı	ı	ı	ı	ı

MBA428

\* These control characters are reserved for compatibility with other data codes.  
 \*\* These control characters are presumed before each row begins.

APPLICATION INFORMATION (continued)

Table 4f Character data input decoding, Baltic and Cyrillic Russian (SAA5243P/R)

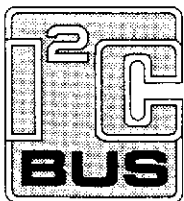
B   T S	b <sub>8</sub> → b <sub>7</sub> → b <sub>6</sub> → b <sub>5</sub> →				0 0 0 or 1 0 0 or 1 0 0 1 0 0 1 0 0 1 0 1 0 1 0 1 0 1 0 1 0 1 0 1 0 1 0 1																	
	b <sub>4</sub> ↓	b <sub>3</sub> ↓	b <sub>2</sub> ↓	b <sub>1</sub> ↓	column	0	1	2	2a	3	3a	4	5	6	6a	7	7a	8	9	12	13	14
0	0	0	0	0	0	alpha - numerics black	graphics black			0	Š	P	š	p	ā	ī	ю	п	ю	п		
0	0	0	1	1	alpha - numerics red	graphics red	!	□	1	A	Q	a	q	Ā	Ī	А	Я	а	я			
0	0	1	0	2	alpha - numerics green	graphics green	"	□	2	B	R	b	r	ä	ē	Б	Р	б	р			
0	0	1	1	3	alpha - numerics yellow	graphics yellow	#	□	3	C	S	c	s	ē	ē	Ц	С	ц	с			
0	1	0	0	4	alpha - numerics blue	graphics blue	\$	□	4	D	T	d	t	ō	ķ	Д	Т	д	т			
0	1	0	1	5	alpha - numerics magenta	graphics magenta	%	□	5	E	U	e	u	č	ķ	Е	У	е	у			
0	1	1	0	6	alpha - numerics cyan	graphics cyan	ы	□	6	F	V	f	v	&	ī	Ф	Ж	ф	ж			
0	1	1	1	7	alpha - numerics white	graphics white	'	□	7	G	W	g	w	ǫ	ļ	Г	В	г	в			
1	0	0	0	8	flash	conceal display	(	□	8	H	X	h	x	ō	ā	Х	Ь	х	ь			
1	0	0	1	9	steady	contiguous graphics	)	□	9	I	Y	i	y	ū	ū	И	Ь	и	ь			
1	0	1	0	10	end box	separated graphics	*	□	:	J	Z	j	z	ü	q	И	Э	и	э			
1	0	1	1	11	start box	ESC	+	□	:	K	ē	k	ā	Ā	Ņ	К	Ш	к	ш			
1	1	0	0	12	normal height	black back - ground	,	□	<	L	ē	l	ū	ō	ī	Л	Э	л	э			
1	1	0	1	13	double height	new back - ground	-	□	=	M	ž	m	ž	G	E	М	Щ	м	щ			
1	1	1	0	14	sq	hold graphics	.	□	>	N	č	n	ī	ū	°	Н	Ч	н	ч			
1	1	1	1	15	sl	release graphics	/	□	?	O	ū	o	□	□	□	ō	₂	О	Ы	о	□	

MBA648

\* These control characters are reserved for compatibility with other data codes.  
 \*\* These control characters are presumed before each row begins.

**Notes to Table 4**

1. Control characters shown in columns 0 and 1 are normally displayed as spaces.
2. Codes may be referred to by column and row. For example 2/5 refers to %.
3. Black represents displayed colour. White represents background.
4. Character rectangle shown as follows: □
5. National option characters are shown in Table 6.
6. Characters 8/6, 8/7, 9/5, 9/6 and 9/7 are special characters (for /E and /H character tables only) to combine with character 8/5.
7. With bit 8 = 0 national option character will be decoded according to the setting of control bits C12 to C14 (see Table 6).



Purchase of Philips' I<sup>2</sup>C components conveys a license under the Philips' I<sup>2</sup>C patent to use the components in the I<sup>2</sup>C-system provided the system conforms to the I<sup>2</sup>C specifications defined by Philips.

Table 5 SAA5243 basic character matrix

2/0		2/8		3/0		3/8		4/0	NC	4/8		5/0		5/8		6/0	NC	6/8		7/0		7/8	
2/1		2/9		3/1		3/9		4/1		4/9		5/1		5/9		6/1		6/9		7/1		7/9	
2/2		2/10		3/2		3/10		4/2		4/10		5/2		5/10		6/2		6/10		7/2		7/10	
2/3	NC	2/11		3/3		3/11		4/3		4/11		5/3		5/11	NC	6/3		6/11		7/3		7/11	NC
2/4	NC	2/12		3/4		3/12		4/4		4/12		5/4		5/12	NC	6/4		6/12		7/4		7/12	NC
2/5		2/13		3/5		3/13		4/5		4/13		5/5		5/13	NC	6/5		6/13		7/5		7/13	NC
2/6		2/14		3/6		3/14		4/6		4/14		5/6		5/14	NC	6/6		6/14		7/6		7/14	NC
2/7		2/15		3/7		3/15		4/7		4/15		5/7		5/15	NC	6/7		6/15		7/7		7/15	

729-405

Where: NC national option character position.

APPLICATION INFORMATION (continued)

Table 6a SAA5243P/E/M2 national option character set

LANGUAGE	PHCB (1)		CHARACTER POSITION ( COLUMN/ROW)														
	C12	C13	C14	2/3	2/4	4/0	5/11	5/12	5/13	5/14	5/15	6/0	7/11	7/12	7/13	7/14	
ENGLISH	0	0	0	£	\$	©	†	12	†	↑	↑	#	—	14		34	÷
GERMAN	0	0	1	#	\$	S	Ä	Ö	Ü	^	—	°	ä	ö	ü	ü	ß
SWEDISH	0	1	0	#	Å	E	Ä	Ö	Ä	Ü	—	é	ä	ö	ü	ü	ü
ITALIAN	0	1	1	£	\$	é	°	ç	†	↑	#	ù	à	ò	ò	è	ì
FRENCH	1	0	0	é	i	à	è	é	ü	ï	#	è	à	ö	ü	ç	à
SPANISH	1	0	1	ç	\$	i	à	é	í	ó	ù	ú	ú	ñ	ñ	é	à

7222659.2

(1) Where PHCB are the Page Header Control bits. Other combinations of PHCB default to English. Only the above characters change with the PHCB. All other characters in the basic set are shown in Table 5.

Table 6b SAA5243P/H national option character set

LANGUAGE	PHCB (1)			CHARACTER POSITION (COLUMN/ROW)													
	C12	C13	C14	2/3	2/4	4/0	5/11	5/12	5/13	5/14	5/15	6/0	7/11	7/12	7/13	7/14	
POLISH	0	0	0	#	ń	ą	z	ś	ł	ć	ó	ę	ż	ś	z	ź	
GERMAN	0	0	1	#	ß	š	ř	ö	ü	^	□	°	ä	ö	ü	ß	
SWEDISH	0	1	0	#	å	é	ä	ö	ä	ü	□	é	ä	ö	ü		
SERBO-CROAT	1	0	1	#	š	ć	č	ž	đ	š	ě	č	ć	ž	đ	š	
CZECHOSLOVAK	1	1	0	#	š	č	ř	ž	ý	í	ř	ě	á	ě	ú	š	
RUMANIAN	1	1	1	#	ş	ţ	ă	ş	ă	ţ	ı	ţ	ă	ş	ă	ı	

7Z22658.1

- (1) Where PHCB are the Page Header Control bits. Other combinations of PHCB default to German. Only the above characters change with the PHCB. All other characters in the basic set are shown in Table 5.

APPLICATION INFORMATION (continued)

Table 6c SAA5243P/K national option character set

	2	3	4	5	6	7		2	3	4	5	6	7
0	□	0	@	P	—	p	0	□	0	أ	آ	ا	ب
1	!	1	A	Q	a	q	1	!	1	ع	ح	خ	د
2	”	2	B	R	b	r	2	”	2	ج	ز	س	ش
3	£	3	C	S	c	s	3	£	3	ب	ص	م	ف
4	\$	4	D	T	d	t	4	\$	4	ت	ث	ل	ق
5	%	5	E	U	e	u	5	%	5	ن	م	ه	و
6	&	6	F	V	f	v	6	ل	6	ا	ف	ز	ق
7	'	7	G	W	g	w	7	س	7	ا	ط	ب	ك
8	(	8	H	X	h	x	8	)	8	ب	ظ	و	ا
9	)	9	I	Y	i	y	9	(	9	ة	ك	س	ل
10	*	:	J	Z	j	z	10	*	:	ت	ن	ي	م
11	+	;	K	+	k	¼	11	+	;	ن	ك	ن	م
12	,	<	L	½	l		12	,	>	ب	ج	ح	ز
13	-	=	M	→	m	¾	13	-	=	ب	ك	ن	ن
14	.	>	N	↑	n	÷	14	.	<	ب	ن	ن	لا
15	/	?	O	#	o	■	15	/	?	ل	#	ب	■
LANGUAGE	ENGLISH							ARABIC					
PHCB <sup>(1)</sup> (C12, C13, C14)	0 0 0							1 1 1					

7222790

(1) Where PHCB are the Page Header Control bits. Other combinations of PHCB default to English.

Table 6d SAA5243P/L national option character set

	2	3	4	5	6	7		2	3	4	5	6	7
0	□	0	@	P	N	J	0	□	0	أ	ل	ا	ب
1	!	1	A	Q	U	U	1	!	1	ع	و	ق	ك
2	"	2	B	R	A	V	2	"	2	ح	ج	ف	غ
3	£	3	C	S	T	7	3	£	3	ب	م	ن	هـ
4	\$	4	D	T	7	9	4	\$	4	ت	ذ	ل	ف
5	%	5	E	U	I	Y	5	%	5	ث	د	م	ق
6	&	6	F	V	I	Y	6	ج	6	ا	ب	ن	ق
7	'	7	G	W	7	7	7	'	7	ا	ب	هـ	ك
8	(	8	H	X	U	7	8	)	8	ب	ظ	و	ا
9	)	9	I	Y	'	W	9	(	9	ة	ق	س	ل
10	*	:	J	Z	7	7	10	*	:	ت	ف	ب	م
11	+	;	K	←	U	7	11	+	:	ق	ف	ق	م
12	,	<	L	½	U	7	12	,	>	ح	ك	ح	ن
13	-	=	M	→	□	¾	13	-	=	م	ك	ح	ن
14	.	>	N	↑	□	÷	14	.	<	ن	ك	ح	ل
15	/	?	□	#	U	■	15	/	?	ل	#	ح	■
LANGUAGE	HEBREW/ENGLISH						ARABIC						
PHCB (1) (C12, C13, C14)	1 0 1						1 1 1						

7Z22789

(1) Where PHCB are the Page Header Control bits. Other combinations of PHCB default to English.



APPLICATION INFORMATION (continued)

Table 6e SAA5243P/T national option character set

LANGUAGE	PHCB (1)		CHARACTER POSITION (COLUMN / ROW)													
	C12	C13/C14	2/3	2/4	4/0	5/11	5/12	5/13	5/14	5/15	6/0	7/11	7/12	7/13	7/14	
	ENGLISH	0	0	0	0	0	+	1/2	+	↑	#	—	1/4		3/4	÷
GERMAN	0	0	1	0	0	#	ö	ü	^	—	°	ä	ö	ü	ß	
TURKISH	1	1	0	0	0	ı	ö	ç	ü	ç	ı	ı	ö	ç	ü	
ITALIAN	0	1	1	0	0	é	ç	†	↑	#	ù	à	ò	è	ì	
FRENCH	1	0	0	0	0	é	é	é	é	#	é	à	ò	ù	ç	
SPANISH	1	0	1	0	0	ç	é	ı	ó	ü	ú	ü	ñ	é	à	

MBA430

(1) Where PHCB are the Page Header Control bits. Other combinations of PHCB default to English. Only the above characters change with the PHCB. All other characters in the basic set are shown in Table 5.

Table 6f SAA5243R/L national option character set

LANGUAGE	PHCB <sup>(1)</sup>			CHARACTER POSITION (COLUMN / ROW)												
	C12	C13	C14	2/3	2/4	4/0	5/11	5/12	5/13	5/14	5/15	6/0	7/11	7/12	7/13	7/14
ESTONIAN	0	1	0	#	õ	š	ä	ö	ž	ü	õ	š	ä	ö	ž	ü
LETTISH / LITHUANIAN	0	1	1	#	\$	š	ē	ē	ž	č	ū	š	ā	ū	ž	ī
RUSSIAN	1	0	0		о	ю	п	ю	п							
				!	1	а	я	а	я							
				"	2	б	р	б	р							
				#	3	ц	с	ц	с							
				\$	4	д	т	д	т							
				%	5	е	у	е	у							
				ы	6	ф	ж	ф	ж							
				'	7	г	в	г	в							
				(	8	х	ь	х	ь							
				)	9	и	ь	и	ь							
				ж	:	и	з	и	з							
				+	;	к	ш	к	ш							
				,	<	л	э	л	э							
				-	=	м	щ	м	щ							
				.	>	н	ч	н	ч							
				/	?	о	ы	о	ы							

MBA647

(1) Where PHCB are the Page Header Control bits. Other combinations of PHCB default to English.