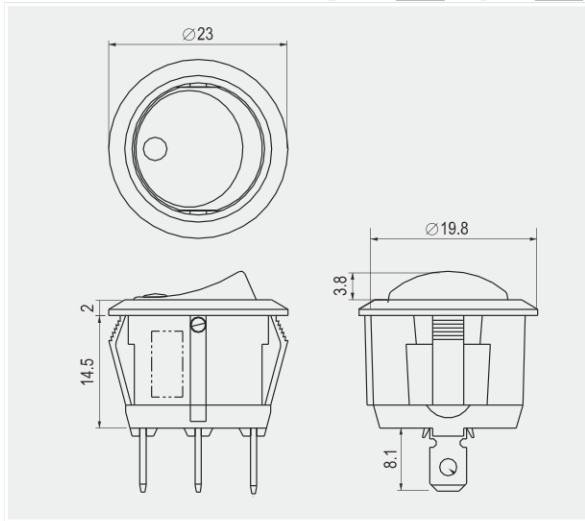


R13-112



Rating
16A 125V AC 10A 250V AC
Contact resistance
50mΩ Max
Insulation resistance
DC 500V 100MΩ Min
Dielectric strength
AC 1500V 1 minute
Cut-out
 2-3.0 mm max
 0.7~3.0 mm max

FEATURES

- * MATERIAL: Frame is nylon (UL flame: 94V-2). Terminals are silver plated brass.
- * Illuminated actuators are molded in PC, available with red, amber, green, blue and white colors.
- * Snap-in mounting, easy to install switch into panel.
- * Except lever type actuator (AP, BP, CP, DP, LP), watertight cover is optional.
- * Standard dimension of housing height is 14.5mm, if look for shorter height, please refer to page 1-57, item R13-208 with housing height 12.0mm.
- * R13-112B9 & R13-112B9F: The LED is built with PCB for shifting to AC rating application.
- * Watertight cover is optional.



Cut-out for X8 ROCKER
 1.25~2.5 mm max
 0.7~2.5 mm max

ROCKER		
A,B,BF C,D,E, F,G,H, I		A5
A2 E2 F2		LP
A2B		A8,B8 B8F C8,D8 F8,E8
B2 B2F		B9 B9F
L		AP BP CP DP



Ordering number instruction

R13-112 -

FUNCTION					TERMINAL
Different button (按鈕不同)					0 2 .187" SQ
A	A 2	A 5	A P	A 2 B	0 9 PC <small>A/C/D/E/F/G/H/I</small>
OFF 2P SPST ON	OFF 2P SPST ON	OFF 2P SPST ON <small>(Gloss Finish)</small>	OFF 2P SPST ON	OFF 2P SPST ON	1 2 SO <small>A/C/D/E/F/G/H/L</small>

Illuminated / Different button (帶燈/按鈕不同)				
B	B 2	B 9	B 10	B P
OFF 3P SPST <small>(NEON)</small> 125VAC 33KΩ / 250VAC 150KΩ	OFF 3P SPST <small>(NEON)</small> 125VAC 33KΩ / 250VAC 150KΩ	OFF 3P SPST <small>(W/O Lens)</small> <small>(LED)</small>	OFF 3P SPST <small>(NEON)</small> 125VAC 33KΩ / 250VAC 150KΩ	OFF 3P SPST <small>(NEON)</small> 125VAC 33KΩ / 250VAC 150KΩ

Momentary / Illuminated / Different button (彈回/帶燈/按鈕不同)		
B F	B 2 F	B 9 F
OFF 3P SPST <small>(NEON)</small> 125VAC 33KΩ / 250VAC 150KΩ	OFF 3P SPST <small>(NEON)</small> 125VAC 33KΩ / 250VAC 150KΩ	OFF 3P SPST <small>(W/O Lens)</small> <small>(LED)</small>

Different position / Different button (動作特性不同/按鈕不同)			
C	C P	D	D P
ON 3P SPDT ON	ON 3P SPDT ON	ON OFF ON 3P SPDT	ON OFF ON 3P SPDT

Momentary (彈回)				
E	F	G	H	I
(OFF) 2P SPST ON	OFF 2P SPST (ON)	(ON) 3P SPDT ON	(ON) OFF ON 3P SPDT	(ON) OFF (ON) 3P SPDT

Independent circuit / Different button (獨立迴路/按鈕不同)		
L	L P	L F
OFF 4P SPST <small>(LED)</small>	OFF 4P SPST <small>(LED)</small>	OFF 4P SPST <small>(ON)</small> <small>(LED)</small>

Watertight (防水)					
A 8	B 8	B 8 F	C 8	D 8	F 8
OFF 2P SPST ON	OFF 3P SPST <small>(NEON)</small> 125VAC 33KΩ / 250VAC 150KΩ	OFF 3P SPST <small>(ON)</small> <small>(NEON)</small> 125VAC 33KΩ / 250VAC 150KΩ	ON 3P SPDT ON	ON OFF ON 3P SPDT	OFF 2P SPST (ON)

E 8
(OFF) 2P SPST ON