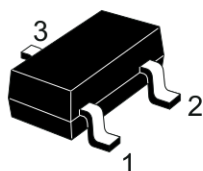
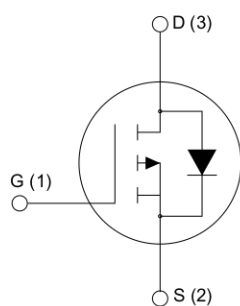


P-channel -30 V, 48 mΩ typ., -2 A STripFET™ H6 Power MOSFET in a SOT-23 package



SOT-23



PG103S2


Product status

STR2P3LLH6

Product summary

Order code	STR2P3LLH6
Marking	2K3L
Package	SOT-23
Packing	Tape and reel

Features

Order code	V_{DS}	$R_{DS(on)}$ max.	I_D
STR2P3LLH6	-30 V	56 mΩ	-2 A

- Very low on-resistance
- Very low gate charge
- High avalanche ruggedness
- Low gate drive power loss

Applications

- Switching applications

Description

This device is a P-channel Power MOSFET developed using the STripFET™ H6 technology with a new trench gate structure. The resulting Power MOSFET exhibits very low $R_{DS(on)}$ in all packages.

1 Electrical ratings

Table 1. Absolute maximum ratings

Symbol	Parameter	Value	Unit
V_{DS}	Drain-source voltage	-30	V
V_{GS}	Gate-source voltage	± 20	V
I_D	Drain current (continuous) at $T_{pcb} = 25\text{ }^\circ\text{C}$	-2	A
I_D	Drain current (continuous) at $T_{pcb} = 100\text{ }^\circ\text{C}$	-1.2	A
$I_{DM}^{(1)}$	Drain current (pulsed)	-8	A
P_{TOT}	Total dissipation at $T_{pcb} = 25\text{ }^\circ\text{C}$	0.35	W
T_J	Operating junction temperature range	-55 to 150	$^\circ\text{C}$
T_{stg}	Storage temperature range		$^\circ\text{C}$

1. Pulse width limited by safe operating area

Table 2. Thermal resistance

Symbol	Parameter	Value	Unit
$R_{thj-pcb}^{(1)}$	Thermal resistance junction-pcb, single operation	357	$^\circ\text{C/W}$

1. When mounted on FR-4 board of 1inch², 2oz Cu, $t < 10\text{ s}$

2 Electrical characteristics

($T_C = 25\text{ °C}$ unless otherwise specified).

Table 3. On /off states

Symbol	Parameter	Test conditions	Min	Typ	Max	Unit
$V_{(BR)DSS}$	Drain-source breakdown voltage	$V_{GS} = 0\text{ V}$, $I_D = -250\text{ }\mu\text{A}$	-30			V
I_{DSS}	Zero gate voltage drain current	$V_{GS} = 0\text{ V}$, $V_{DS} = -30\text{ V}$ ⁽¹⁾			-1	μA
I_{GSS}	Gate body leakage current	$V_{GS} = 0\text{ V}$, $V_{GS} = \pm 20\text{ V}$			-100	nA
$V_{GS(th)}$	Gate threshold voltage	$V_{DS} = V_{GS}$, $I_D = -250\text{ }\mu\text{A}$	-1		-2.5	V
$R_{DS(on)}$	Static drain-source on-resistance	$V_{GS} = -10\text{ V}$, $I_D = -1\text{ A}$ $V_{GS} = -4.5\text{ V}$, $I_D = -1\text{ A}$		48 75	56 90	$\text{m}\Omega$

1. Defined by design, not subject to production test.

Table 4. Dynamic

Symbol	Parameter	Test conditions	Min	Typ	Max	Unit
C_{ISS}	Input capacitance	$V_{DS} = -25\text{ V}$, $f = 1\text{ MHz}$ $V_{GS} = 0\text{ V}$	-	639	-	pF
C_{OSS}	Output capacitance		-	79	-	
C_{RSS}	Reverse transfer capacitance		-	52	-	
Q_g	Total gate charge	$V_{DD} = -15\text{ V}$, $I_D = -2\text{ A}$	-	6	-	nC
Q_{gs}	Gate-source charge	$V_{GS} = -4.5\text{ to }0\text{ V}$	-	1.9	-	
Q_{gd}	Gate-drain charge	(see Figure 13. Gate charge test circuit)	-	2.1	-	

Table 5. Switching times

Symbol	Parameter	Test conditions	Min	Typ	Max	Unit
$t_{d(on)}$	Turn-on delay time	$V_{DD} = -15\text{ V}$, $I_D = -2\text{ A}$, $R_G = 4.7\text{ }\Omega$, $V_{GS} = -10\text{ V}$ (see Figure 12. Switching times test circuit for resistive load)	-	5.4	-	ns
t_r	Rise time		-	5	-	
$t_{d(off)}$	Turn-off delay time		-	19.2	-	
t_f	Fall time		-	3.4	-	

Table 6. Source drain diode

Symbol	Parameter	Test conditions	Min	Typ	Max	Unit
V_{SD} ⁽¹⁾	Forward on voltage	$I_{SD} = -2\text{ A}$, $V_{GS} = 0\text{ V}$	-	-	-1.1	V

Symbol	Parameter	Test conditions	Min	Typ	Max	Unit
t_{rr}	Reverse recovery time	$I_{SD} = -2 \text{ A}$, $di/dt = 100 \text{ A}/\mu\text{s}$, $V_{DD} = 24 \text{ V}$, $T_J = 150 \text{ }^\circ\text{C}$ (see Figure 14. Test circuit for inductive load switching and diode recovery times)	-	-	11.2	ns
Q_{rr}	Reverse recovery charge		-	-	3.5	nC
I_{RRM}	Reverse recovery current		-	-	-0.6	A

1. Pulsed: pulse duration=300 μs , duty cycle 1.5%

2.1 Electrical characteristics (curves)

Note: For the P-channel Power MOSFET, current and voltage polarities are reversed.

Figure 1. Safe operating area

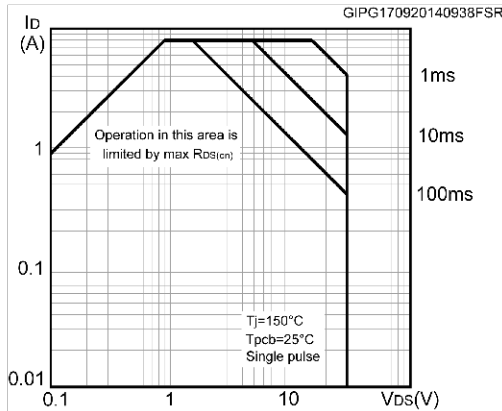


Figure 2. Thermal impedance

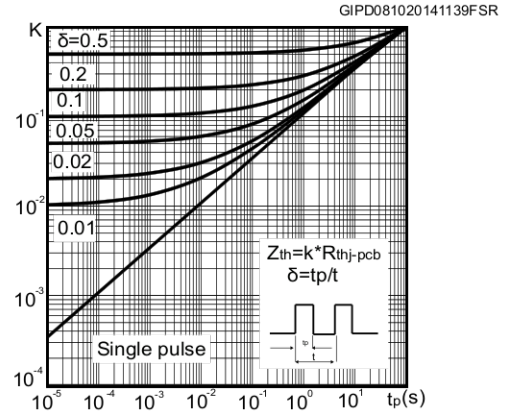


Figure 3. Output characteristics

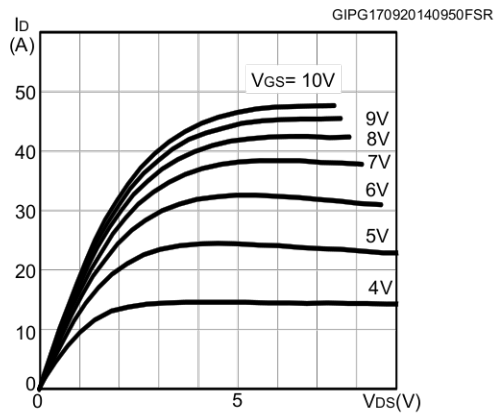


Figure 4. Transfer characteristics

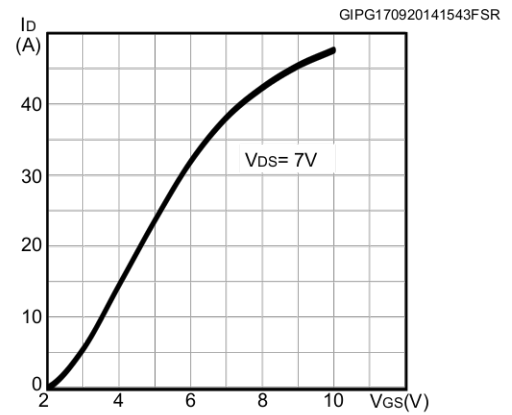


Figure 5. Gate charge vs gate-source voltage

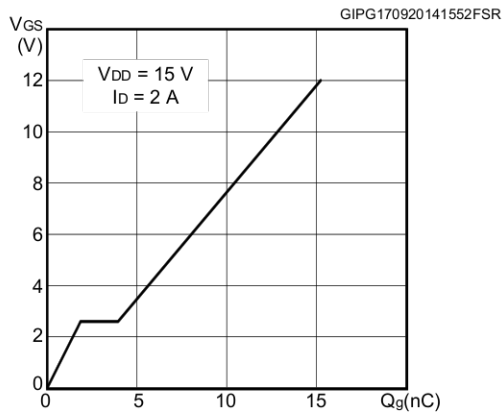


Figure 6. Static drain-source on-resistance

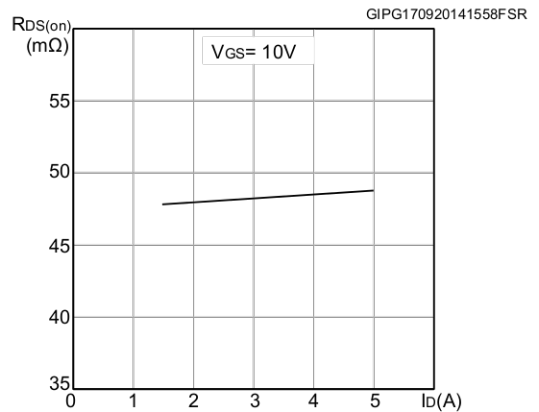


Figure 7. Normalized $V_{(BR)DSS}$ vs temperature

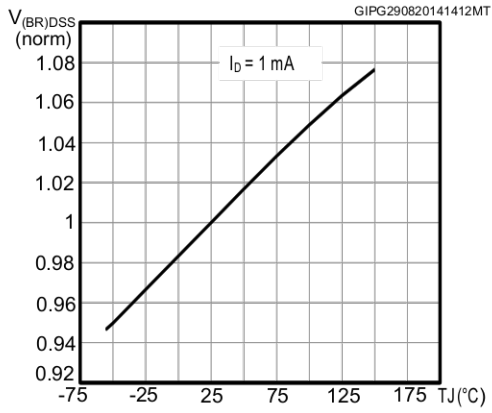


Figure 8. Capacitance variations

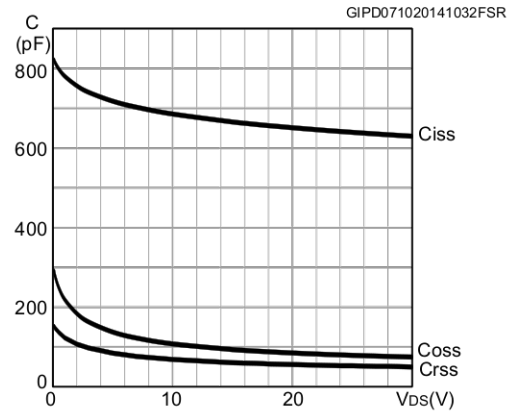


Figure 9. Normalized gate threshold voltage vs. temperature

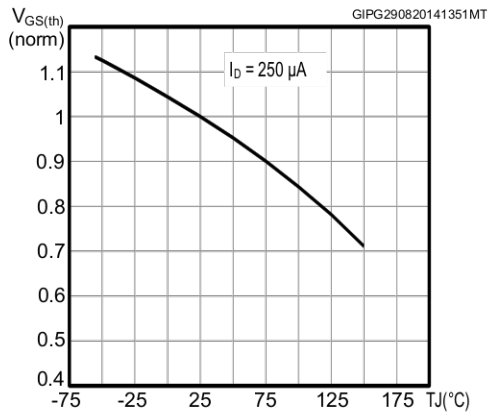


Figure 10. Normalized on-resistance vs. temperature

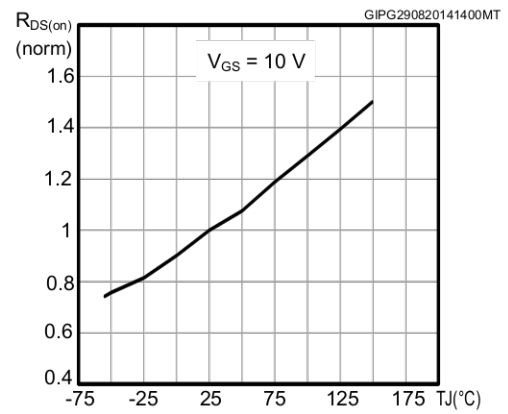
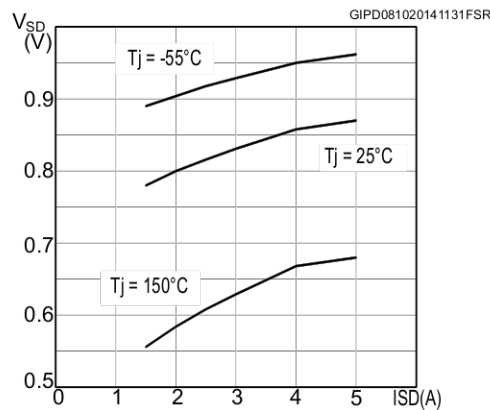
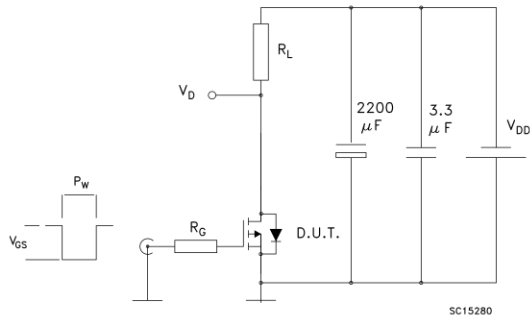
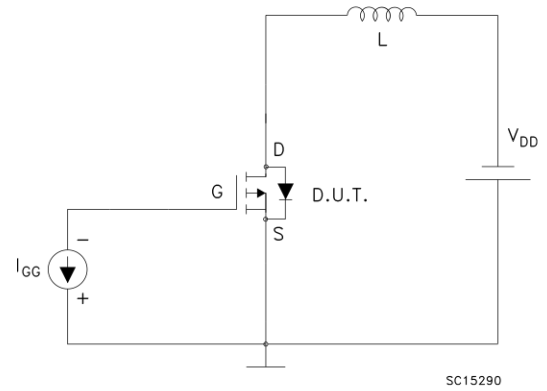
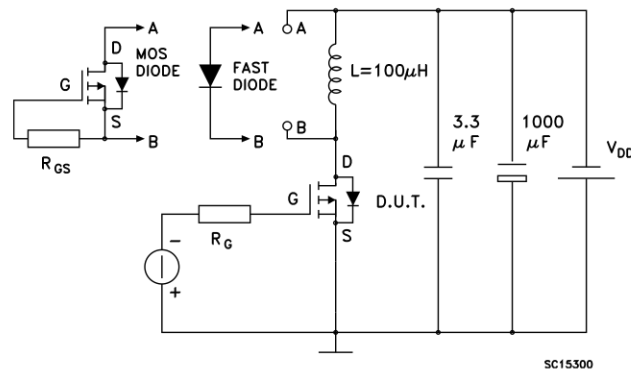


Figure 11. Source-drain diode forward characteristics



3 Test circuits

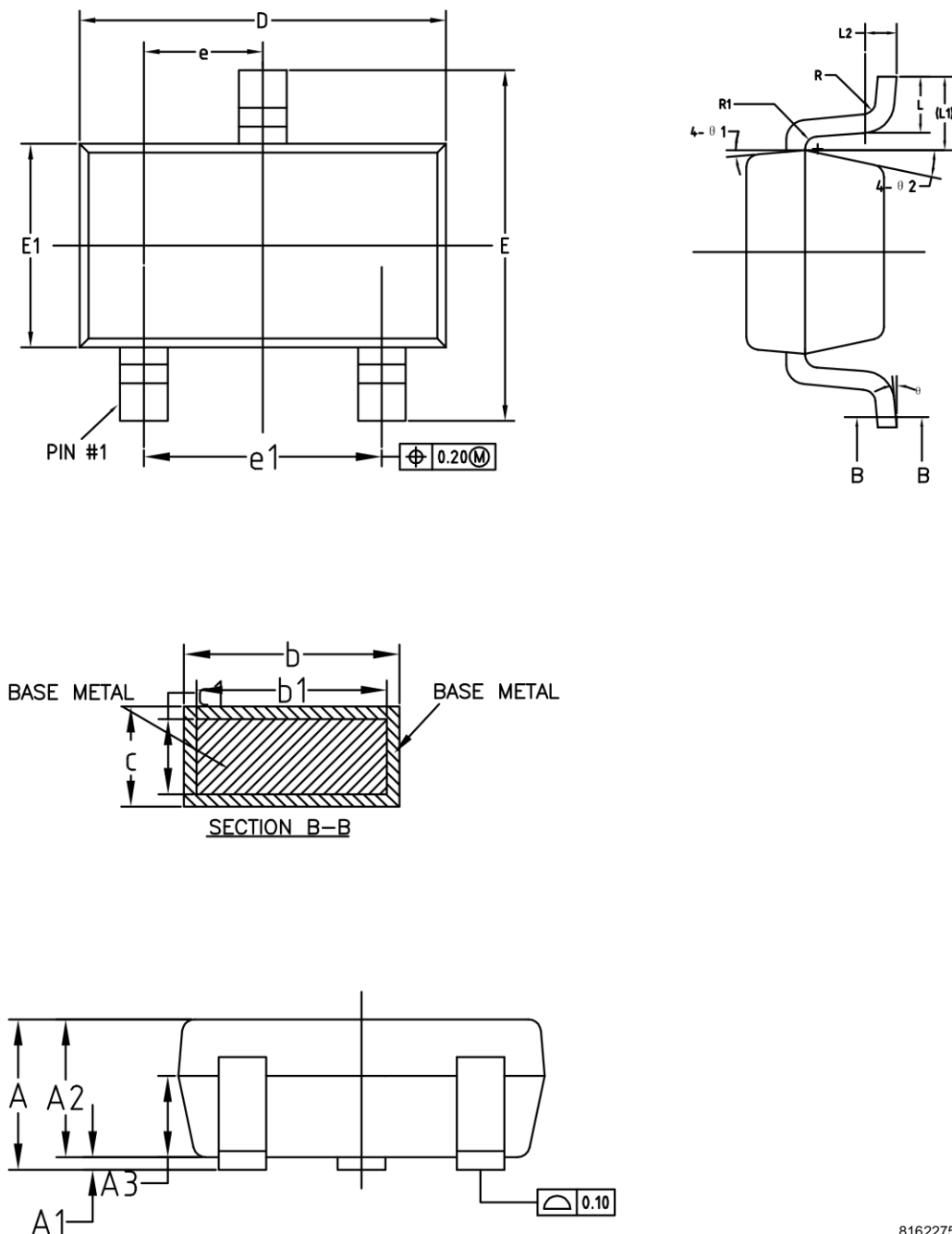
Figure 12. Switching times test circuit for resistive load

Figure 13. Gate charge test circuit

Figure 14. Test circuit for inductive load switching and diode recovery times


4 Package information

In order to meet environmental requirements, ST offers these devices in different grades of **ECOPACK** packages, depending on their level of environmental compliance. ECOPACK specifications, grade definitions and product status are available at: www.st.com. ECOPACK is an ST trademark.

4.1 SOT-23 package information

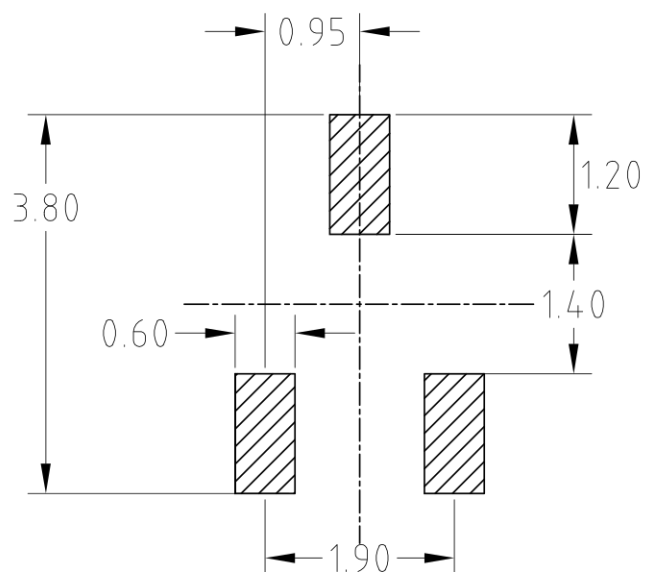
Figure 15. SOT-23 package outline



8162275_998G_3

Table 7. SOT-23 package mechanical data

Dim.	mm		
	Min.	Typ.	Max.
A			1.25
A1	0.00		0.15
A2	1.00	1.10	1.20
A3	0.60	0.65	0.70
b	0.36		0.50
b1	0.36	0.38	0.45
c	0.14		0.20
c1	0.14	0.15	0.16
D	2.826	2.926	3.026
E	2.60	2.80	3.00
E1	1.526	1.626	1.726
e	0.90	0.95	1.00
e1	1.80	1.90	2.00
L	0.35	0.45	0.60
L1	0.59 REF		
L2	0.25 BSC		
R	0.05		
R1	0.05		
θ	0°		8°
θ_1	3°	5°	7°
θ_2	6°		14°

Figure 16. SOT-23 recommended footprint (dimensions are in mm)


Revision history

Table 8. Document revision history

Date	Revision	Changes
09-May-2013	1	Initial release.
03-Nov-2014	2	Document status promoted from preliminary to production data. Added Section 2.1: "Electrical characteristics (curves)". Minor text changes.
05-Nov-2015	3	Updated title and features in cover page. Updated <i>Table 2: "Absolute maximum ratings"</i> , <i>Table 4: "On /off states"</i> , <i>Table 5: "Dynamic"</i> , <i>Table 6: "Switching times"</i> , <i>Table 7: "Source drain diode"</i> and <i>Section 2.1: "Electrical characteristics (curves)"</i> . Minor text changes.
21-Feb-2018	4	Removed maturity status indication from cover page. The document status is production data. Updated <i>Section 4.1 SOT-23 package information</i> . Minor text changes.
26-Mar-2019	5	Updated Table 3. On /off states . Minor text changes.

Contents

1	Electrical ratings	2
2	Electrical characteristics	3
2.1	Electrical characteristics (curves)	5
3	Test circuits	7
4	Package mechanical data	8
4.1	SOT-23 package information	8
	Revision history	10

IMPORTANT NOTICE – PLEASE READ CAREFULLY

STMicroelectronics NV and its subsidiaries (“ST”) reserve the right to make changes, corrections, enhancements, modifications, and improvements to ST products and/or to this document at any time without notice. Purchasers should obtain the latest relevant information on ST products before placing orders. ST products are sold pursuant to ST’s terms and conditions of sale in place at the time of order acknowledgement.

Purchasers are solely responsible for the choice, selection, and use of ST products and ST assumes no liability for application assistance or the design of Purchasers’ products.

No license, express or implied, to any intellectual property right is granted by ST herein.

Resale of ST products with provisions different from the information set forth herein shall void any warranty granted by ST for such product.

ST and the ST logo are trademarks of ST. For additional information about ST trademarks, please refer to www.st.com/trademarks. All other product or service names are the property of their respective owners.

Information in this document supersedes and replaces information previously supplied in any prior versions of this document.

© 2019 STMicroelectronics – All rights reserved