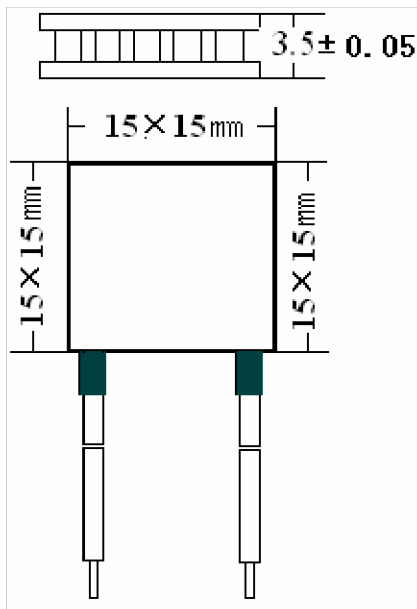




**TEC1-01708**



PARAMETERS	UNIT	TEC1-01708	
Current,max	A	8.5	
Voltage,max	V	2.06	
Cooling power(at th=25°C)	W	Min.9.2	
Temp.Difference.max(at th=25°C)	K	In vacuum (unsealed) min.66	On air (sealed) Min63
Resistance(at, 25°C)	Ohms	0.1-0.24	
Figure of Merit	1/K	In vocuum (unsealed) 0.00265	On air (sealed) 0.00245
Width	mm	15±0.5	
Length	mm	15±0.5	
Thickness	mm	3.5	
Thickness tolerance	mm	±0.1	
Parallel difference	mm	0.05	
Wire length	mm	150 mm	
Wire section	mm <sup>2</sup>	0.5	
Inter melting point	°C	90	

