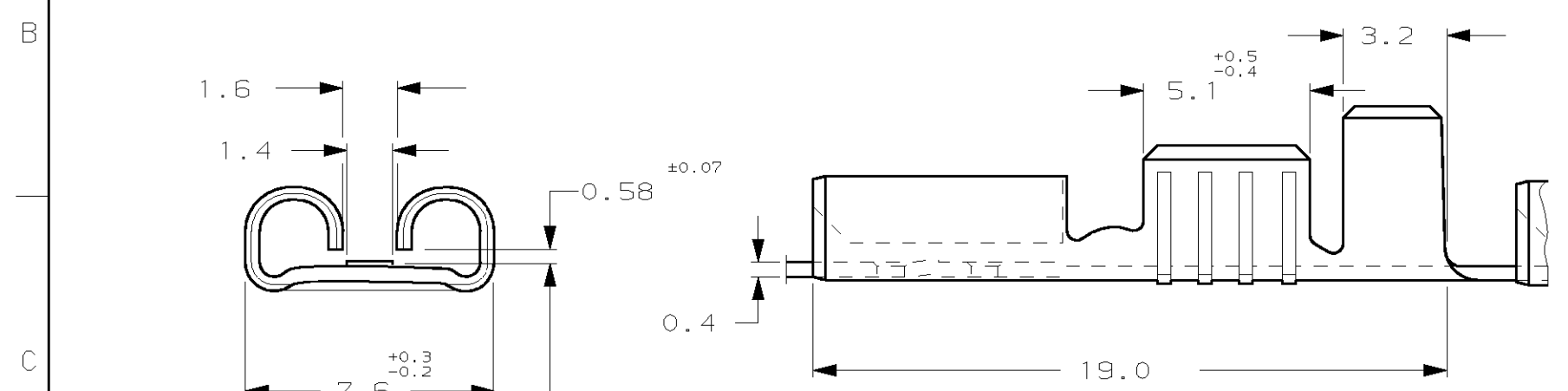
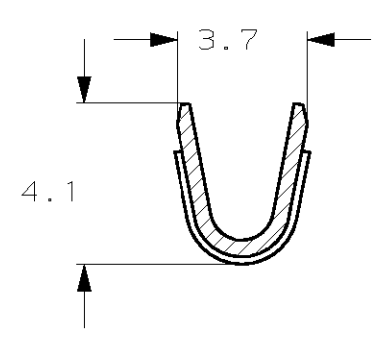


1) STATO DI FORNITURA - SCALA 1:1 (SUPPLY CONDITION - SCALE 1:1)
 SENSO DI USCITA DEL TERMINALE DALLA BOBINA (DIRECTION OFF TOP OF REEL)

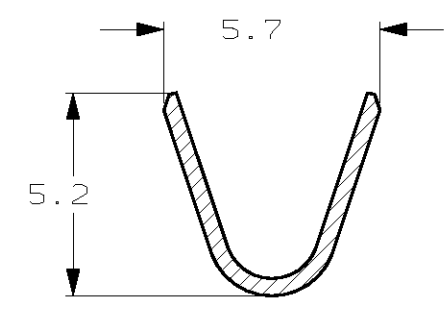


2) SPECIFICA DI PRODOTTO 108-20019 (PRODUCT SPEC. 108-20019)
 SPECIFICA DI APPLICAZIONE 114-20023 (APPLICATION SPEC. 114-20023).
 3) PER LE VERSIONI IN PEZZI SCIOLTI VEDERE DISEGNO 160304 (FOR LOOSE PIECE VERSION SEE DRAWING 160304).
 4) 115-16-1, GIUNZIONE MEDIANTE SALDATURA (115-16-1, SPLICE FREE).
 5) BOBINATO CON CARTA INTERPOSTA (REELED WITH INTERLEAVE PAPER STRIP).

SEZIONE A-A (SECTION A-A)



SEZIONE B-B (SECTION B-B)



5	NUDO (UNPLATED)	BRONZO FOS. (PH. BRONZE)	4-160256-9	CU
	ARGENTATO (SILVER PLATED)	OTTONE (BRASS)	4-160256-7	CU
	NUDO (UNPLATED)	BRONZO FOS. (PH. BRONZE)	4-160256-5	CT
5	PRE NICHELATO (PRE NICKEL PLATED)	ACCIAIO (STEEL)	4-160256-2	CT
	STAGNATO (TIN PLATED)	BRONZO FOS. (PH. BRONZE)	3-160256-1	CT
	NUDO (UNPLATED)	BRONZO FOS. (PH. BRONZE)	2-160256-8	CT
5	STAGNATO (TIN PLATED)	OTTONE (BRASS)	2-160256-2	CU
	NUDO (UNPLATED)	OTTONE (BRASS)	2-160256-1	CT
	PRE NICHELATO (PRE NICKEL PLATED)	ACCIAIO (STEEL)	0-160256-5	CT
NOTE	FINITURA / COLORE (FINISH / COLOUR)	MATERIALE (MATERIAL)	NUMERO (AMP P/N)	REV

CUSTOMER DWG. FOR REFERENCE ONLY
 DISEGNO PER CLIENTE SOLO PER RIFERIMENTO

THIS DRAWING IS UNPUBLISHED RELEASE FOR PUBLICATION 19

© COPYRIGHT 19 BY AMP INCORPORATED, HARRISBURG, PA. ALL INTERNATIONAL RIGHT RESERVED. AMP PRODUCTS MAY BE COVERED BY U.S. AND FOREIGN PATENT AND/OR PATENT PENDING

REV.	REV. LTR.	REVISIONI (REVISION RECORD)	DIS. DATA (DR. DATE)
CU5		ELIMINATED PART ET00-0038-04	H.Y. 24 FEB 2004
CU4		REVISED PACKAGING ET00-0184-02	H.Y. 23 SEP 2001
CU3		REVISED ET00-0286-01	H.Y. 07 DEC 2001
CU2		REVISED PACKAGING ET00-0046-01	H.Y. 09 FEB 2001
CU1		REACTIVATED 4-...-9 ET00-0004-01	H.Y. 08 JAN 2001
CU		ADDED NOTE (5) ET00-0227-00	H.Y. 04 SEP 2000
CT1		ADDED NOTE (4) ET00-0201-00	H.Y. 14 JUL 2000
CT		OBSOLETE PARTS ET00-0309-99	H.Y. 08 MAR 2000
CS		REVISED & REDRAWN ET00-0011-00	H.Y. 11 FEB 2000

TOLLERANZE: SE NON DIVERSAMENTE SPECIFICATO (TOLERANCES: UNLESS OTHERWISE SPECIFIED)

DIAM. ISOLANTE (INS. DIA. RANGE) 3.0-4.3mm DIA.
 RANGO FILO (WIRE RANGE) 1.0-2.5 mm2
 SCALA (SCALE) 5:1

ANGOLI (ANGLES) ± 2°
 DIS. H. YAALI (DR.) 27 JAN 2000
 CONT. C. TARTARI (CHK) 27 JAN 2000

DESCRIZIONE (DESCRIPTION) FASTON® Connector, .250" sr. REC. CONTACT.
 LOC. SIZE NUMERO (DWG NO) I A3 C-160256
 REV. FOGLIO (SHEET) CU51 DI (OF) 1

DISTRIBUZIONE (PRINT DIST.)