

THIS DRAWING IS UNPUBLISHED.

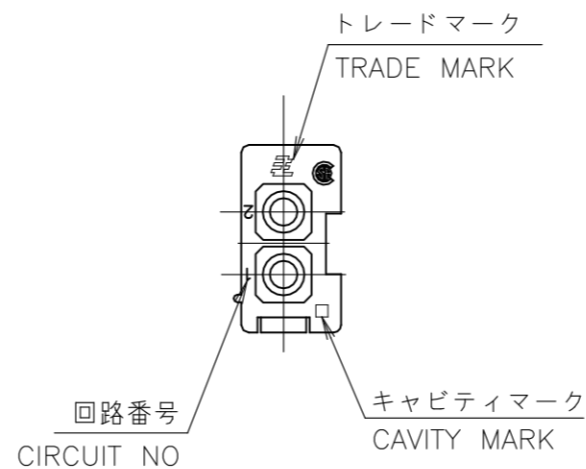
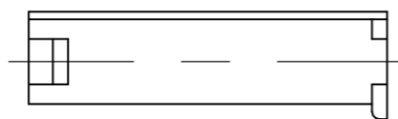
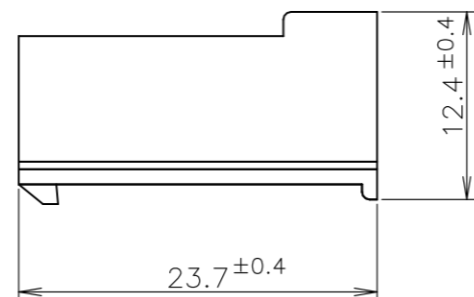
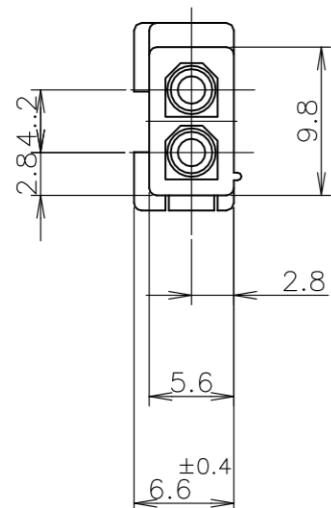
RELEASED FOR PUBLICATION DEC , 1979.

© COPYRIGHT 1979 By Tyco Electronics Japan G.K.

ALL RIGHTS RESERVED.

REVISIONS

P	LTR	DESCRIPTION	DATE	DWN	APVD
	C	REVISED PER ECR-23-177478	08AUG2023	SM	JP



- 1 使用端子型番は 170359, 170360, 170361, 170362
- 2 嵌合相手ハウジング型番: 172165
- 3 適用製品仕様書: 108-5138
- 4 取扱い説明書: IS-105J

- 1 APPLICABLE CONT P/N: 170359, 170360, 170361, 170362
- 2 MATING HSG P/N: 172165
- 3 PRODUCT SPEC: 108-5138
- 4 INSTRUCTION SHEET: IS-105J
- △ OBSOLETE

△ OBSOLETE	黒 (BLACK)	1-172233-9
	青 (BLUE)	1-172233-6
	緑 (GREEN)	1-172233-5
	赤 (RED)	1-172233-2
	自然色 (NATURAL)	172233-1
	色 (COLOR)	型番 (P/N)

WIRE RANGE 抱合電線断面積	mm ²	INSULATION DIA 被覆外径	mm ϕ
-----------------------	-----------------	------------------------	-----------

THIS DRAWING IS A CONTROLLED DOCUMENT.		DWN K.YUASA 11DEC1979	STE TE Connectivity													
DIMENSIONS: 単位: 耗 mm		CHK A.TOMITA 20DEC1979														
TOLERANCES UNLESS OTHERWISE SPECIFIED: 一般公差		APVD Y.SATO 24DEC1979	NAME 名称													
<table border="1"> <tr><td>0-PLC</td><td>±</td></tr> <tr><td>1-PLC</td><td>±</td></tr> <tr><td>2-PLC</td><td>±</td></tr> <tr><td>3-PLC</td><td>±</td></tr> <tr><td>4-PLC</td><td>±</td></tr> <tr><td>ANGLES</td><td>±1°</td></tr> </table>		0-PLC	±	1-PLC	±	2-PLC	±	3-PLC	±	4-PLC	±	ANGLES	±1°	PRODUCT SPEC 製品規格 108-5138	2 POS MINI UNIVERSAL MATE-N-LOK CAP HOUSING FREE HANGING TYPE	
0-PLC	±															
1-PLC	±															
2-PLC	±															
3-PLC	±															
4-PLC	±															
ANGLES	±1°															
MATERIAL 材料 PA66/6 UL94V-0		APPLICATION SPEC 取付適用規格	フリーハンギング形 2極ミニユニバーサルメイトンロック キャップハウジング UL94V-0													
FINISH 仕上		WEIGHT	SIZE A3	CAGE CODE 00779												
		CUSTOMER DRAWING	DRAWING NO 番号 C-172233	RESTRICTED TO												
			SCALE 尺度 2:1	SHEET 1 OF 1												
				REV C												