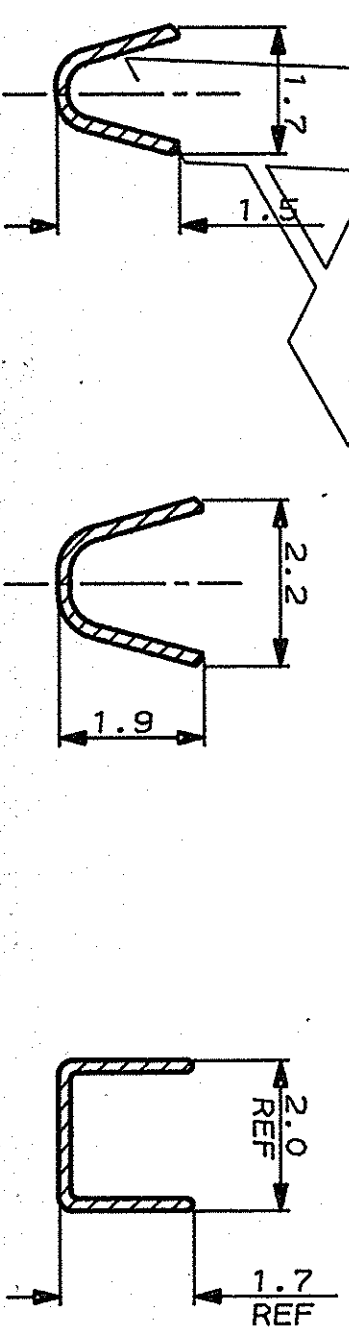
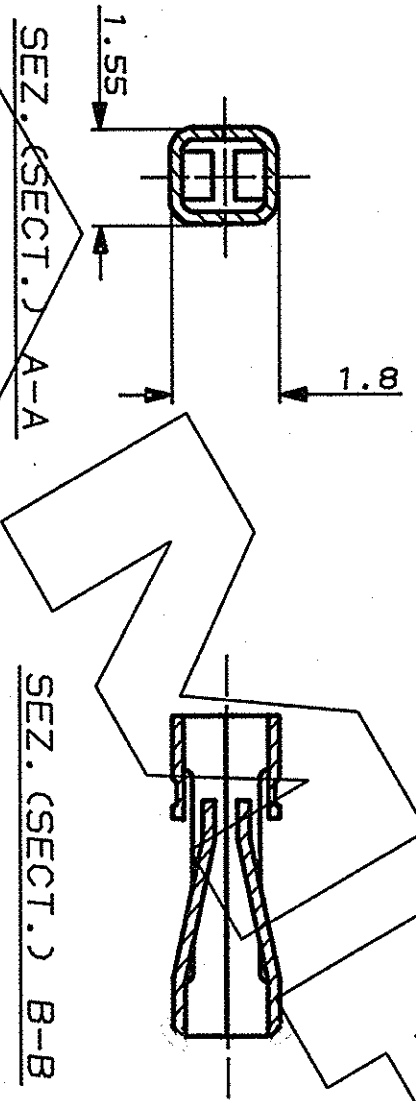
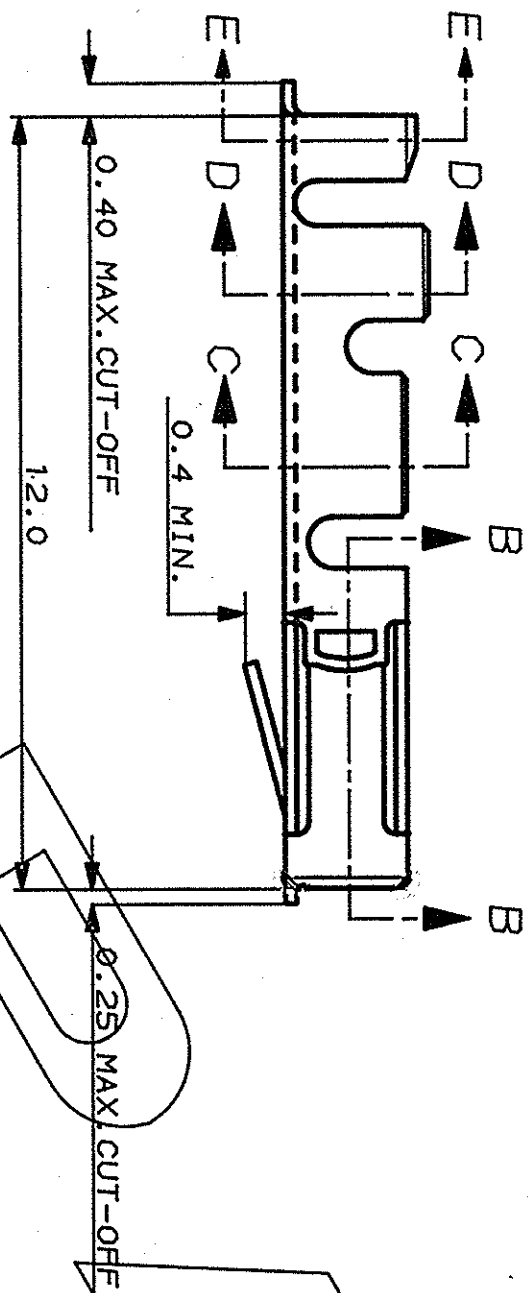


MARCHIO AMP, CODICE AMP DI NAZIONALITA'
 AMP TRADEMARK, MANUFACTURING LOCATION CODE.

NOTE (NOTES)

1. MATERIALE (MATL.): BRONZO FOSFOROSO (PHOSPHOR BRONZE).
2. FINITURA (FINISH): STAGNATO 0.8µM ECCEPTE LE ZONE TRANCIAATE. (TIN PLATED 0.8µM ALL OVER EXCEPT FOR CUTTING EDGES).
3. PER MINI-APPLICATORE (FOR MINI-APPLICATOR) P/N 781119-2.
4. PER APPLICATORE STD. (FOR STD. APPLICATOR).
5. PER UTENSILE A MANO (FOR HANDTOOL) P/N 784044-1.



NOTE (NOTES)

1 & 2	182206-2	280708-1	280708-2
MATERIALE E FINITURA, MATL. & FINISH	LOOSE-PIECE PART NUMBER:	STRIP PART NUMBER:	STRIP PART NUMBER:
	NOTA NOTED 5	GR. TO L. 2, NOTA NOTED 4	GR. TO R. 3, NOTA NOTED 3

CUSTOMER DWG. SOLO PER RIFERIMENTO

THIS DRAWING IS UNPUBLISHED
 © COPYRIGHT 1989 BY AMP INCORPORATED, HARRISBURG, PA. ALL INTERNATIONAL RIGHTS RESERVED. AMP PRODUCTS MAY BE COVERED BY U.S. AND FOREIGN PATENT AND/OR PATENT PENDING TOLERANCES SE NON DIVERSAMENTE SPECIFICATO
 DIM. ISOLANTE
 DIM. DIA. RANGE
 1.0-1.55 MM
 DIM. FILLO
 RANGE AND
 0.13-0.32 MM
 (25-22 AWG)
 SCALE

AMP
 AMP ITALIA S.p.A.
 Corso F.lli Cervelli, 15
 COLLENO (TORINO)

DESCRIZIONE
 AMPMODU II REC. CONTACT,
 HIGH PRESSURE, C.O.S.I.

REV.	REVISIONI	DIS. DATA	APP. DATA	LOC. SIZE	NUMERO	REV.	FOGLIO
B	AGGIORNATO E RIPRODOTTO	9. C. 17/89	9. C. 17/89	I	1	5	1
C	AGGIORNATO (REVISED)	9. C. 17/89	9. C. 17/89	A3C	280708	5	1
D	AGGIORNATO (REVISED)	9. C. 17/89	9. C. 17/89				
E	AGGIORNATO (REVISED)	9. C. 17/89	9. C. 17/89				
S	FATTO SU DIM. E RIF. DI	9. C. 17/89	9. C. 17/89				