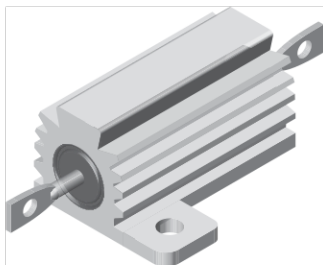




Wirewound Resistors, Industrial Power, Aluminum Housed, Chassis Mount



DESIGN SUPPORT TOOLS

[click logo to get started](#)



FEATURES

- Molded construction for total environmental protection
- Complete welded construction
- Meets applicable requirements of MIL-PRF-18546
- Available in non-inductive styles (type NH) with Ayrton-Perry winding for lowest reactive components
- Mounts on chassis to utilize heat-sink effect
- Excellent stability in operation (< 1 % change in resistance)
- MIL-PRF-18546 qualified, type RE resistors can be found at: www.vishay.com/doc?30282
- Material categorization: for definitions of compliance please see www.vishay.com/doc?99912



RoHS* Available

HALOGEN FREE Available

GREEN (5-2008) Available

Note

* This datasheet provides information about parts that are RoHS-compliant and /or parts that are non RoHS-compliant. For example, parts with lead (Pb) terminations are not RoHS-compliant. Please see the information / tables in this datasheet for details

| STANDARD ELECTRICAL SPECIFICATIONS | | | | | | | |
|------------------------------------|------------------|--|---|---|--|--|-----------------------|
| GLOBAL MODEL | HISTORICAL MODEL | POWER RATING $P_{25^{\circ}\text{C}}$ W | RESISTANCE RANGE Ω $\pm 0.05\%$, $\pm 0.1\%$ | RESISTANCE RANGE Ω $\pm 0.25\%$ | RESISTANCE RANGE Ω $\pm 0.5\%$ | RESISTANCE RANGE Ω $\pm 1\%$, $\pm 3\%$, $\pm 5\%$ | WEIGHT (typical) g |
| RH005 | RH-5 | 7.5 | 0.5 to 6.75K | 0.1 to 8.6K | 0.05 to 8.6K | 0.02 to 24.5K | 3 |
| NH005 | NH-5 | 7.5 | 0.5 to 2.32K | 0.1 to 3.27K | 0.05 to 3.27K | 0.05 to 12.75K | 3 |
| RH010 | RH-10 | 12.5 | 0.5 to 12.7K | 0.1 to 16.69K | 0.05 to 16.69K | 0.01 to 47.1K | 5 |
| NH010 | NH-10 | 12.5 | 0.5 to 4.45K | 0.1 to 5.54K | 0.05 to 5.54K | 0.05 to 23.5K | 5 |
| RH025 | RH-25 | 25 | 0.5 to 25.7K | 0.1 to 32.99K | 0.05 to 32.99K | 0.01 to 95.2K | 12 |
| NH025 | NH-25 | 25 | 0.5 to 9.09K | 0.1 to 12.8K | 0.05 to 12.8K | 0.05 to 47.6K | 12 |
| RH050 | RH-50 | 50 | 0.5 to 73.4K | 0.1 to 96K | 0.05 to 96K | 0.01 to 273K | 28 |
| NH050 | NH-50 | 50 | 0.5 to 26K | 0.1 to 36.7K | 0.05 to 36.7K | 0.05 to 136K | 28 |
| RH100 | RH-100 | 100 | 0.5 to 90K | 0.1 to 90K | 0.05 to 90K | 0.05 to 90K | 353 |
| NH100 | NH-100 | 100 | 0.5 to 37.5K | 0.1 to 37.5K | 0.05 to 37.5K | 0.05 to 37.5K | 353 |
| RH250 | RH-250 | 250 | 0.5 to 116K | 0.1 to 116K | 0.05 to 116K | 0.05 to 116K | 637 |
| NH250 | NH-250 | 250 | 0.5 to 48.5K | 0.1 to 48.5K | 0.05 to 48.5K | 0.05 to 48.5K | 637 |

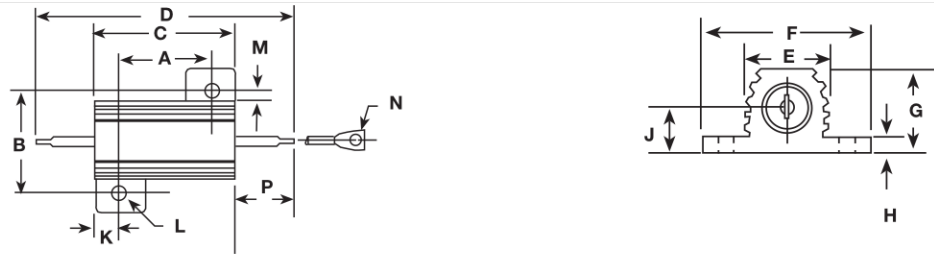
Note

- RH005 and NH005 printed with 5 W power rating. RH010 and NH010 printed with 10 W power rating. New construction allows these resistors to be rated at higher wattage but will only be printed with the higher wattage upon customer request

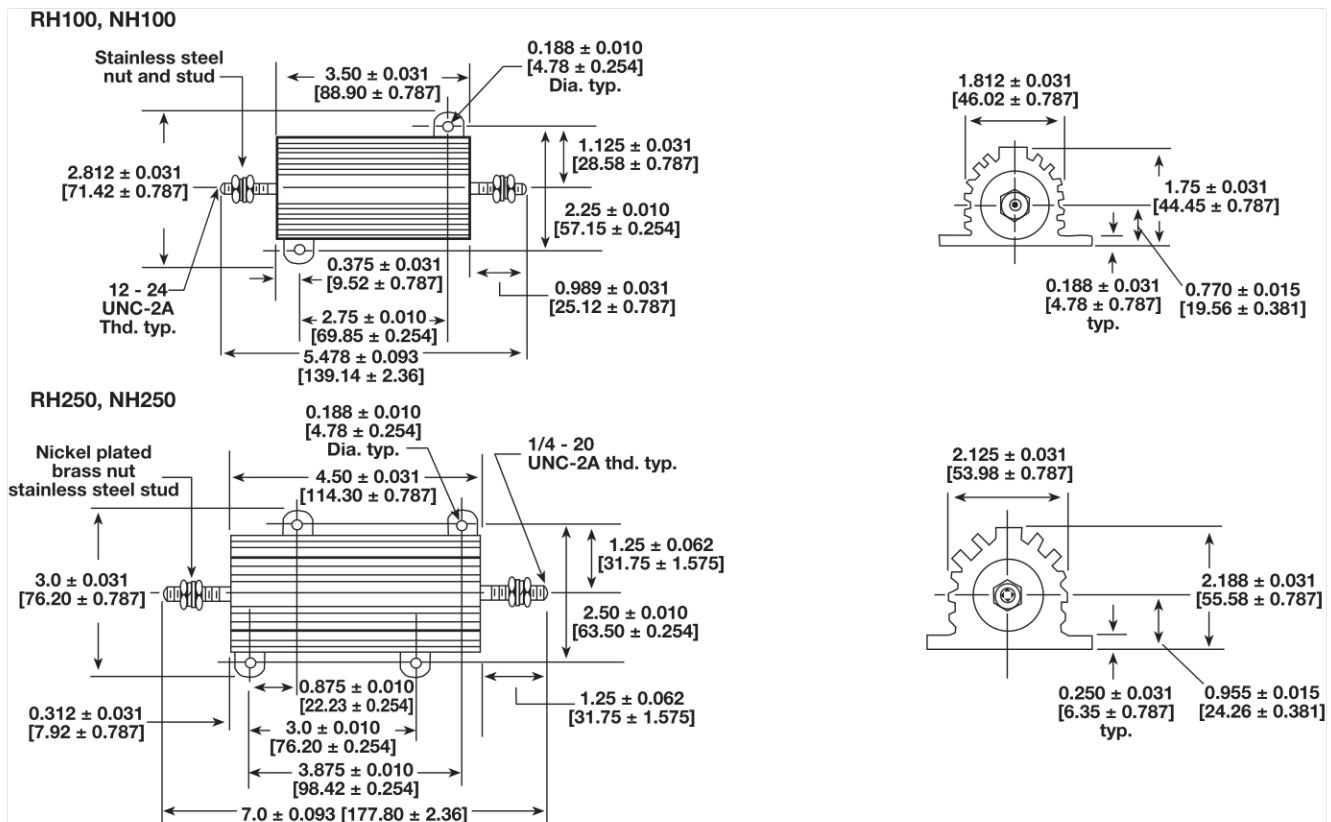
| TECHNICAL SPECIFICATIONS | | |
|-----------------------------|-------------------------|---|
| PARAMETER | UNIT | RH RESISTOR CHARACTERISTICS |
| Temperature Coefficient | ppm/ $^{\circ}\text{C}$ | ± 20 for 10 Ω and above; ± 50 for 1 Ω to 9.9 Ω , ± 100 for 0.1 Ω to 0.99 Ω |
| Maximum Working Voltage | V | $(P \times R)^{1/2}$ |
| Insulation Resistance | Ω | 10 000 M Ω minimum dry, 1000 M Ω minimum after moisture test |
| Solderability | - | Meets requirements of ANSI J-STD-002 |
| Operating Temperature Range | $^{\circ}\text{C}$ | -55 to +250 |

| GLOBAL PART NUMBER INFORMATION | | | | |
|---|---|---|--|---|
| Global Part Numbering example: RH0054R125FC02 | | | | |
| R | H | 005 | 4R | 125FC02 |
| GLOBAL MODEL | RESISTANCE VALUE | TOLERANCE CODE | PACKAGING | SPECIAL |
| RH005 (see Standard Electrical Specifications Global Model column for options) | R = decimal K = thousand 15R00 = 15 Ω 10K00 = 10 k Ω | A = 0.05 % B = 0.1 % C = 0.25 % D = 0.5 % F = 1.0 % H = 3.0 % J = 5.0 % | E02 = lead (Pb)-free, card pack (RH005 - RH050) E01 = lead (Pb)-free, skin pack (RH100 and RH250) C02 = tin / lead, card pack (RH005 - RH050) J01 = tin / lead, skin pack (RH100 and RH250) | (dash number) (up to 3 digits) from 1 to 999 as applicable |
| Historical Part Numbering example: RH-5 4.125 Ω 1 % C02 | | | | |
| RH-5 | 4.125 Ω | 1 % | C02 | |
| HISTORICAL MODEL | RESISTANCE VALUE | TOLERANCE CODE | PACKAGING | |

DIMENSIONS in inches [millimeters]

 RH005, 010, 025, 050
 NH005, 010, 025, 050


| GLOBAL MODEL | DIMENSIONS in inches [millimeters] | | | | | | | | | | | | | |
|----------------|--|--|--|---------------------------------------|--|--|--|---------------------------------------|---------------------------------------|---------------------------------------|---------------------------------------|---------------------------------------|---------------------------------------|---------------------------------------|
| | A | B | C | D | E | F | G | H | J | K | L | M | N | P |
| RH005 NH005 | 0.444 ± 0.005 [11.28 ± 0.127] | 0.490 ± 0.005 [12.45 ± 0.127] | 0.600 ± 0.030 [15.24 ± 0.787] | 1.125 ± 0.062 [28.58 ± 1.57] | 0.334 ± 0.015 [8.48 ± 0.381] | 0.646 ± 0.015 [16.41 ± 0.381] | 0.320 ± 0.015 [8.13 ± 0.381] | 0.065 ± 0.010 [1.65 ± 0.254] | 0.133 ± 0.010 [3.38 ± 0.254] | 0.078 ± 0.010 [1.98 ± 0.254] | 0.093 ± 0.005 [2.36 ± 0.127] | 0.078 ± 0.015 [1.98 ± 0.381] | 0.050 ± 0.005 [1.27 ± 0.127] | 0.266 ± 0.062 [6.76 ± 1.57] |
| RH010 NH010 | 0.562 ± 0.005 [14.27 ± 0.127] | 0.625 ± 0.005 [15.88 ± 0.127] | 0.750 ± 0.031 [19.05 ± 0.787] | 1.375 ± 0.062 [34.93 ± 1.57] | 0.420 ± 0.015 [10.67 ± 0.381] | 0.800 ± 0.015 [20.32 ± 0.381] | 0.390 ± 0.015 [9.91 ± 0.381] | 0.075 ± 0.010 [1.91 ± 0.254] | 0.165 ± 0.010 [4.19 ± 0.254] | 0.093 ± 0.010 [2.36 ± 0.254] | 0.094 ± 0.005 [2.39 ± 0.127] | 0.102 ± 0.015 [2.59 ± 0.381] | 0.085 ± 0.005 [2.16 ± 0.127] | 0.312 ± 0.062 [7.92 ± 1.57] |
| RH025 NH025 | 0.719 ± 0.005 [18.26 ± 0.127] | 0.781 ± 0.005 [19.84 ± 0.127] | 1.062 ± 0.031 [26.97 ± 0.787] | 1.938 ± 0.062 [49.23 ± 1.57] | 0.550 ± 0.015 [13.97 ± 0.381] | 1.080 ± 0.015 [27.43 ± 0.381] | 0.546 ± 0.015 [13.87 ± 0.381] | 0.075 ± 0.010 [1.91 ± 0.254] | 0.231 ± 0.010 [5.87 ± 0.254] | 0.172 ± 0.010 [4.37 ± 0.254] | 0.125 ± 0.005 [3.18 ± 0.127] | 0.115 ± 0.015 [2.92 ± 0.381] | 0.085 ± 0.005 [2.16 ± 0.127] | 0.438 ± 0.062 [11.13 ± 1.57] |
| RH050 NH050 | 1.562 ± 0.005 [39.67 ± 0.127] | 0.844 ± 0.005 [21.44 ± 0.127] | 1.968 ± 0.031 [49.99 ± 0.787] | 2.781 ± 0.062 [70.64 ± 1.57] | 0.630 ± 0.015 [16.00 ± 0.381] | 1.140 ± 0.015 [28.96 ± 0.381] | 0.610 ± 0.015 [15.49 ± 0.381] | 0.088 ± 0.010 [2.24 ± 0.254] | 0.260 ± 0.010 [6.60 ± 0.254] | 0.196 ± 0.010 [4.98 ± 0.254] | 0.125 ± 0.005 [3.18 ± 0.127] | 0.107 ± 0.015 [2.72 ± 0.381] | 0.085 ± 0.005 [2.16 ± 0.127] | 0.438 ± 0.062 [11.13 ± 1.57] |

DIMENSIONS in inches [millimeters]




POWER RATING

Vishay RH resistor wattage ratings are based on mounting to the following heat sink:

- RH005 and RH010: 4" x 6" x 2" x 0.040" thick aluminum chassis (129 sq. in. surface area)
- RH025: 5" x 7" x 2" x 0.040" thick aluminum chassis (167 sq. in. surface area)
- RH050: 12" x 12" x 0.059" thick aluminum panel (291 sq. in. surface area)
- RH100 and RH250: 12" x 12" x 0.125" thick aluminum panel (294 sq. in. surface area)

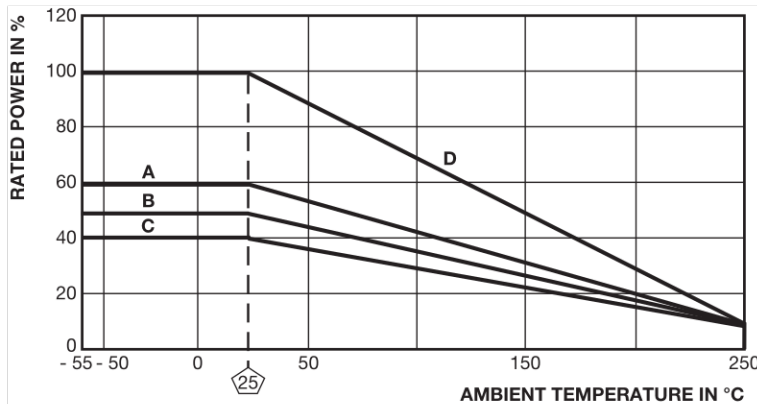
| FREE AIR POWER RATING | | | | | | |
|-----------------------|-------------|-------------|-------------|-------------|-------------|-------------|
| GLOBAL MODEL | RH005 NH005 | RH010 NH010 | RH025 NH025 | RH050 NH050 | RH100 NH100 | RH250 NH250 |
| W at 25 °C | 4.5 | 7.5 | 12.5 | 20 | 40 | 100 |

AMBIENT TEMPERATURE DERATING

Derating is required for ambient temperatures above 25 °C, see the following graph.

Curves A, B, C apply to operation of unmounted resistors. Curve D applies to all types when mounted to specified heat sink.

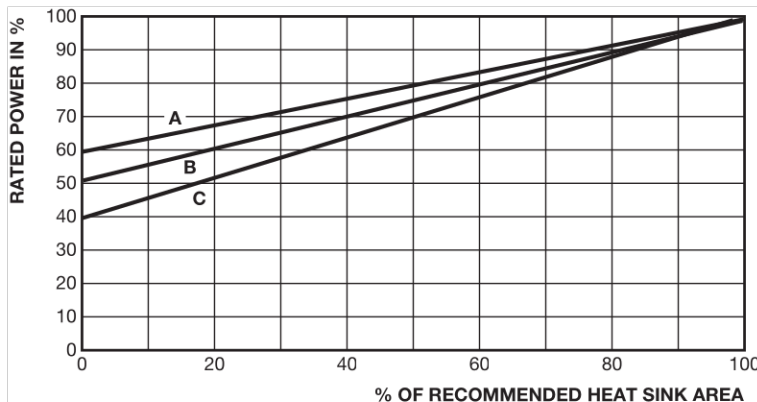
- A = RH005 and RH010 size resistor, unmounted
- B = RH025 size resistor, unmounted
- C = RH050, RH100 and RH250 size resistor, unmounted
- D = All types mounted to recommended aluminum heat sink



REDUCED HEAT SINK DERATING

Derating is also required when recommended heat sink area is reduced.

- A = RH005 and RH010 size resistor
- B = RH025 size resistor
- C = RH050, RH100 and RH250 size resistor





MATERIAL SPECIFICATIONS

Element: copper-nickel alloy or nickel-chrome alloy, depending on resistance value

Core: ceramic, steatite or alumina, depending on physical size

Encapsulant: silicone molded construction

Housing: aluminum with hard anodic coating

End Caps: stainless steel

Standard Terminals: For RH005 through RH050 size terminal finish - tin / lead is 60/40 Sn/Pb w/Nickel underplate and lead (Pb)-free is Ni/Pd/Au, finish is on copper clad steel core terminal. For RH100 and RH250 terminals are threaded stainless steel.

Part Marking: Dale, model, wattage, value, tolerance, date code

NH NON-INDUCTIVE

Models of equivalent physical and electrical specifications are available with non-inductive (Ayrton-Perry) winding. They are identified by substituting the letter N for R in the model number (NH005, for example).

SPECIAL MODIFICATIONS

A number of special modifications to the aluminum housed resistor style are available upon request. Special modifications include:

- Terminal configurations and materials
- Resistance values and tolerances
- Low resistance temperature coefficient (RTC)
- Housing configuration
- Threaded mounting holes
- Preconditioning and other additional testing

APPLICABLE MIL SPECIFICATIONS

Vishay RH and NH resistors are listed as qualified on the MIL-PRF-18546 QPL. MIL-PRF-18546 qualified, type RE resistors can be found at: www.vishay.com/doc?30282

| PERFORMANCE | | |
|---------------------------------|--|-----------------------|
| TEST | CONDITIONS OF TEST | TEST LIMITS |
| Thermal Shock | Rated power applied until thermally stable, then a minimum of 15 min at -55 °C | ± (0.5 % + 0.05 Ω) ΔR |
| Short Time Overload | 5x rated power for 5 s | ± (0.5 % + 0.05 Ω) ΔR |
| Dielectric Withstanding Voltage | 1000 V _{RMS} for RH005, RH010 and RH025; 2000 V _{RMS} for RH050; 4500 V _{RMS} for RH100 and RH250; duration 1 min | ± (0.2 % + 0.05 Ω) ΔR |
| Temperature | 250 °C for 2 h | ± (0.5 % + 0.05 Ω) ΔR |
| Moisture Resistance | MIL-STD-202 Method 106, 7b not applicable | ± (1.0 % + 0.05 Ω) ΔR |
| Shock, Specified Pulse | MIL-STD-202 Method 213, 100 g's for 6 ms, 10 shocks | ± (0.2 % + 0.05 Ω) ΔR |
| Vibration, High Frequency | Frequency varied 10 Hz to 2000 Hz, 20 g peak, 2 directions 6 h each | ± (0.2 % + 0.05 Ω) ΔR |
| Load Life | 1000 h at rated power, +25 °C, 1.5 h "ON", 0.5 h "OFF" | ± (1.0 % + 0.05 Ω) ΔR |
| Terminal Strength | 30 s, 5 pound pull test for RH005 and RH010, 10 pound pull test for other sizes; torque test - 24 pound inch for RH100 and 32 pound inch for RH250 | ± (0.2 % + 0.05 Ω) ΔR |



Disclaimer

ALL PRODUCT, PRODUCT SPECIFICATIONS AND DATA ARE SUBJECT TO CHANGE WITHOUT NOTICE TO IMPROVE RELIABILITY, FUNCTION OR DESIGN OR OTHERWISE.

Vishay Intertechnology, Inc., its affiliates, agents, and employees, and all persons acting on its or their behalf (collectively, "Vishay"), disclaim any and all liability for any errors, inaccuracies or incompleteness contained in any datasheet or in any other disclosure relating to any product.

Vishay makes no warranty, representation or guarantee regarding the suitability of the products for any particular purpose or the continuing production of any product. To the maximum extent permitted by applicable law, Vishay disclaims (i) any and all liability arising out of the application or use of any product, (ii) any and all liability, including without limitation special, consequential or incidental damages, and (iii) any and all implied warranties, including warranties of fitness for particular purpose, non-infringement and merchantability.

Statements regarding the suitability of products for certain types of applications are based on Vishay's knowledge of typical requirements that are often placed on Vishay products in generic applications. Such statements are not binding statements about the suitability of products for a particular application. It is the customer's responsibility to validate that a particular product with the properties described in the product specification is suitable for use in a particular application. Parameters provided in datasheets and / or specifications may vary in different applications and performance may vary over time. All operating parameters, including typical parameters, must be validated for each customer application by the customer's technical experts. Product specifications do not expand or otherwise modify Vishay's terms and conditions of purchase, including but not limited to the warranty expressed therein.

Except as expressly indicated in writing, Vishay products are not designed for use in medical, life-saving, or life-sustaining applications or for any other application in which the failure of the Vishay product could result in personal injury or death. Customers using or selling Vishay products not expressly indicated for use in such applications do so at their own risk. Please contact authorized Vishay personnel to obtain written terms and conditions regarding products designed for such applications.

No license, express or implied, by estoppel or otherwise, to any intellectual property rights is granted by this document or by any conduct of Vishay. Product names and markings noted herein may be trademarks of their respective owners.